

Relay socket base PRS, for miniature power relay with 1 CO contact, Screw connection, Plug-in option for input/suppression modules, Mounting type: Mounting rail TS 35

Business data

| | |
|--|---|
| Packaging unit | 1 |
| Quantity unit | PC |
| Weight per piece (not including packaging) | 33.7 g |
| Weight per piece (including packaging) | 38.2 g |
| Unit of weight | G |
| Customs number | 85366990 |
| Country of origin | CN |
| Product description | Relay socket base with screw connection |

Technical data

Dimensions

| | |
|----------------------------|---------|
| Length | 76 mm |
| Width | 15.8 mm |
| Height TS 35 / 7.5 with BA | 46 mm |

Ratings

| | |
|----------------------|-----|
| Overvoltage category | III |
| Contamination degree | 2 |

Connection data

| | |
|--|---------------------|
| Connection principle | Screw connection |
| Wire cross-section single core (rigid), min. | 0.2 mm ² |
| Wire cross-section single-core (rigid), max. | 2.5 mm ² |
| Wire cross-section stranded, min. | 0.2 mm ² |
| Wire cross-section stranded, max. | 2.5 mm ² |
| Wire cross-section stranded with wire-end ferrules, min. | 0.2 mm ² |
| Wire cross-section stranded with wire-end ferrules, max. | 2.5 mm ² |
| Stripping length | 8 mm |
| Torque | 0.8 Nm |

Output data

| | |
|---|---------------|
| Switching voltage / switching voltage max. | 230 / 400 VAC |
| Continuous current max. / Inrush current max. | 12 A |
| Contact configuration | 1 CO contact |

Materials

| | |
|---------------------------|--------|
| Flammability class UL 94 | V-0 |
| Working temperature, min. | -25 °C |
| Working temperature, max. | 80 °C |

15135.2

PRS 1

Technical data

Further technical data

| | |
|------------------------------------|--------|
| Degree of protection | IP20 |
| Insulation voltage coil/contact | 4 kV |
| Insulation voltage contact/contact | 1 kV |
| Pinning | 3.5 mm |

Environmental Product Compliance

| | |
|--------------------------------|------------|
| REACH Conform | yes |
| REACH Reference date | 2021-07-08 |
| REACH Candidate Substance Note | No |
| RoHS Conform | yes |

15135.2

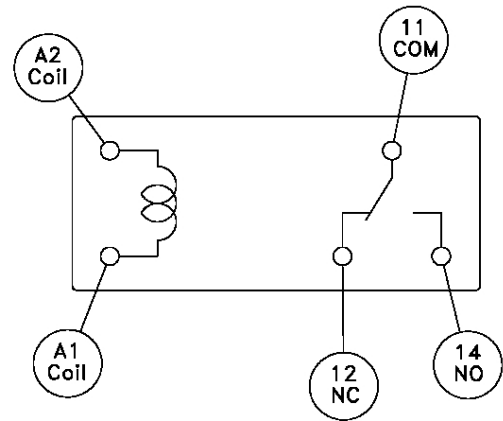
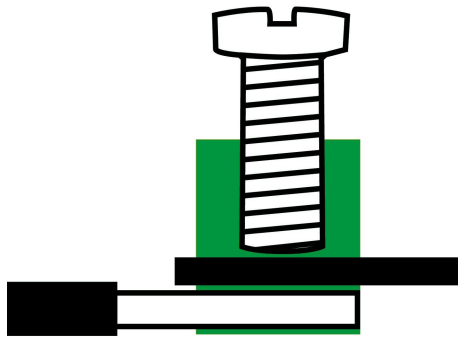
PRS 1

Approvals

Standards and regulations

| | |
|--------------|-----|
| CE compliant | yes |
|--------------|-----|

Media



15135.2

PRS 1

Accessories

Holding clamp



Relay holding clip, With eject, Suitable for relay socket base PRS 1 and PRS 2, for miniature power relays

detail.dataSheet.generalOrderData

| Product number: | detail.dataSheet.productName | GTIN (EAN) | detail.dataSheet. |
|-----------------|------------------------------|---------------|-------------------|
| 15138.2 | PRS C1/2 | 4044211046217 | 500 ST |



Relay holding clip, With eject, Suitable for relay socket base PRS 1 and PRS 2, for industrial relay XT

detail.dataSheet.generalOrderData

| Product number: | detail.dataSheet.productName | GTIN (EAN) | detail.dataSheet. |
|-----------------|------------------------------|---------------|-------------------|
| 16016.2 | PRSXT C1/2 | 4044211145217 | 500 ST |

Accessories

Insert modules



Insertion module, Suitable for relay socket base PRS, LED red status display, With free-wheel diode

detail.dataSheet.generalOrderData

| Product number: | detail.dataSheet.productName | GTIN (EAN) | detail.dataSheet. |
|-----------------|------------------------------|---------------|-------------------|
| 15141.2 | PRS LED(RD) 24V DC | 4044211046231 | 500 ST |



Insertion module, Suitable for relay socket base PRS, LED red status display

detail.dataSheet.generalOrderData

| Product number: | detail.dataSheet.productName | GTIN (EAN) | detail.dataSheet. |
|-----------------|------------------------------|---------------|-------------------|
| 15142.2 | PRS LED(RD) 230V AC | 4044211046255 | 500 ST |



Insertion module, Suitable for relay socket base PRS, LED red status display

detail.dataSheet.generalOrderData

| Product number: | detail.dataSheet.productName | GTIN (EAN) | detail.dataSheet. |
|-----------------|------------------------------|---------------|-------------------|
| 15175.2 | PRS LED(RD) 24V DC | 4044211046521 | 500 ST |

15135.2

PRS 1

Accessories

Insert modules



Insertion module, Suitable for relay socket base PRS, LED red status display, With free-wheel diode

detail.dataSheet.generalOrderData

| Product number: | detail.dataSheet.productName | GTIN (EAN) | detail.dataSheet. |
|-----------------|------------------------------|---------------|-------------------|
| 15422.2 | PRS LED(RD)/110V DC | 4044211104306 | 500 ST |

Plug-in module, Suitable for relay socket base PRS, RC element, Input voltage: 24 VAC

detail.dataSheet.generalOrderData

| Product number: | detail.dataSheet.productName | GTIN (EAN) | detail.dataSheet. |
|-----------------|------------------------------|---------------|-------------------|
| 15808.2 | PRS RC 24V AC | 4044211135201 | 500 ST |

Plug-in module, Suitable for relay socket base PRS, RC element, Input voltage: 240 VAC

detail.dataSheet.generalOrderData

| Product number: | detail.dataSheet.productName | GTIN (EAN) | detail.dataSheet. |
|-----------------|------------------------------|---------------|-------------------|
| 15809.2 | PRS RC 240V AC | 4044211135218 | 500 ST |

15135.2

PRS 1

Accessories

Insert modules



Insertion module, Suitable for relay socket base PRS, LED red status display, With varistor

detail.dataSheet.generalOrderData

| Product number: | detail.dataSheet.productName | GTIN (EAN) | detail.dataSheet. |
|-----------------|------------------------------|---------------|-------------------|
| 15810.2 | PRS LED(RD) 230V UC Var. | 4044211135225 | 500 ST |



Insertion module, Suitable for relay socket base PRS, LED red status display, With varistor

detail.dataSheet.generalOrderData

| Product number: | detail.dataSheet.productName | GTIN (EAN) | detail.dataSheet. |
|-----------------|------------------------------|---------------|-------------------|
| 16070.2 | PRS LED(GN) 24V UC Var. | 4044211146078 | 500 ST |

15135.2

PRS 1

Accessories

Cross-connector



External cross-connector insulated, for relay socket base PRS 1 and PRS 2/6-pole, can be shortened, Voltage: 250 V, Current 10 A

detail.dataSheet.generalOrderData

| Product number: | detail.dataSheet.productName | GTIN (EAN) | detail.dataSheet. |
|-----------------|------------------------------|---------------|-------------------|
| 15779.2 | AQI/PRS/8 BK | 4044211134006 | 500 ST |

Screwdriver



Screwdriver with bare blade, Colour: Black-grey

detail.dataSheet.generalOrderData

| Product number: | detail.dataSheet.productName | GTIN (EAN) | detail.dataSheet. |
|-----------------|------------------------------|---------------|-------------------|
| 1086.0 | SDB 0,6x3,5 | 4044211014797 | 500 ST |

15135.2

PRS 1

Accessories

Relays



Plug-in miniature power relay, Encapsulated design with power contact, 1 CO contact, Input voltage: 115 VAC

detail.dataSheet.generalOrderData

| Product number: | detail.dataSheet.productName | GTIN (EAN) | detail.dataSheet |
|-----------------|------------------------------|---------------|------------------|
| 15228.2 | PRS 1/115V AC | 4044211046705 | 500 ST |



Plug-in miniature power relay, Encapsulated design with power contact, 1 CO contact, Input voltage: 60 VDC

detail.dataSheet.generalOrderData

| Product number: | detail.dataSheet.productName | GTIN (EAN) | detail.dataSheet |
|-----------------|------------------------------|---------------|------------------|
| 15539.2 | PRS 1/60V DC | 4044211117900 | 500 ST |



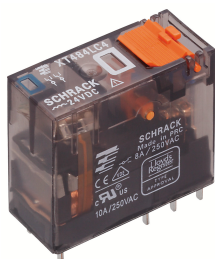
Plug-in miniature power relay, Encapsulated design with power contact, 1 CO contact, Input voltage: 5 VDC

detail.dataSheet.generalOrderData

| Product number: | detail.dataSheet.productName | GTIN (EAN) | detail.dataSheet |
|-----------------|------------------------------|---------------|------------------|
| 16076.2 | PRS 1/5V DC | 4044211171179 | 500 ST |

Accessories

Relays



Plug-in industrial relays with power contacts, 1 CO contact, Test button, Status LED, Mechanical switching position indicator, Input voltage: 230 VAC

detail.dataSheet.generalOrderData

| Product number: | detail.dataSheet.productName | GTIN (EAN) | detail.dataSheet. |
|-----------------|------------------------------|---------------|-------------------|
| 16085.2 | PRSXT 1/230V AC | 4044211171544 | 500 ST |



Plug-in miniature power relay, Encapsulated design with power contact, 1 CO contact, Input voltage: 24 VDC

detail.dataSheet.generalOrderData

| Product number: | detail.dataSheet.productName | GTIN (EAN) | detail.dataSheet. |
|-----------------|------------------------------|---------------|-------------------|
| 6804.0 | PRS 1/24V DC | 4044211076009 | 500 ST |



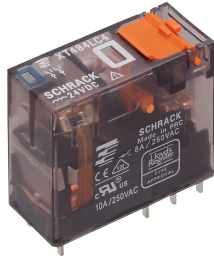
Plug-in miniature power relay, Encapsulated design with power contact, 1 CO contact, Input voltage: 110 VDC

detail.dataSheet.generalOrderData

| Product number: | detail.dataSheet.productName | GTIN (EAN) | detail.dataSheet. |
|-----------------|------------------------------|---------------|----------------------|
| 15540.2 | PRS 1/110V DC | 4044211117917 | 500 ST ¹² |

Accessories

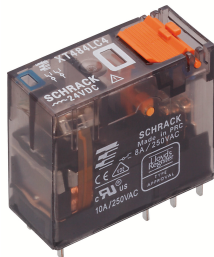
Relays



Plug-in industrial relays with power contacts, 1 CO contact, Test button, Status LED, Free-wheel diode, Mechanical switching position indicator, Polarity A1+, A2-, Input voltage: 24 VDC

detail.dataSheet.generalOrderData

| Product number: | detail.dataSheet.productName | GTIN (EAN) | detail.dataSheet. |
|-----------------|------------------------------|---------------|-------------------|
| 16083.2 | PRSXT 1/24V DC | 4044211171520 | 500 ST |



Plug-in industrial relays with power contacts, 1 CO contact, Test button, Status LED, Mechanical switching position indicator, Input voltage: 24 VAC

detail.dataSheet.generalOrderData

| Product number: | detail.dataSheet.productName | GTIN (EAN) | detail.dataSheet. |
|-----------------|------------------------------|---------------|-------------------|
| 16084.2 | PRSXT 1/24V AC | 4044211171537 | 500 ST |



Plug-in miniature power relay, Encapsulated design with power contact, 1 CO contact, Input voltage: 24 VAC

detail.dataSheet.generalOrderData

| Product number: | detail.dataSheet.productName | GTIN (EAN) | detail.dataSheet. |
|-----------------|------------------------------|---------------|-------------------|
| 6480.2 | PRS 1/24V AC | 4044211074197 | 500 ST 13 |

15135.2

PRS 1

Accessories

Relays



Plug-in miniature power relay, Encapsulated design with power contact, 1 CO contact, Input voltage: 230 VAC

detail.dataSheet.generalOrderData

| Product number: | detail.dataSheet.productName | GTIN (EAN) | detail.dataSheet. |
|-----------------|------------------------------|---------------|-------------------|
| 6481.2 | PRS 1/230V AC | 4044211074203 | 500 ST |
