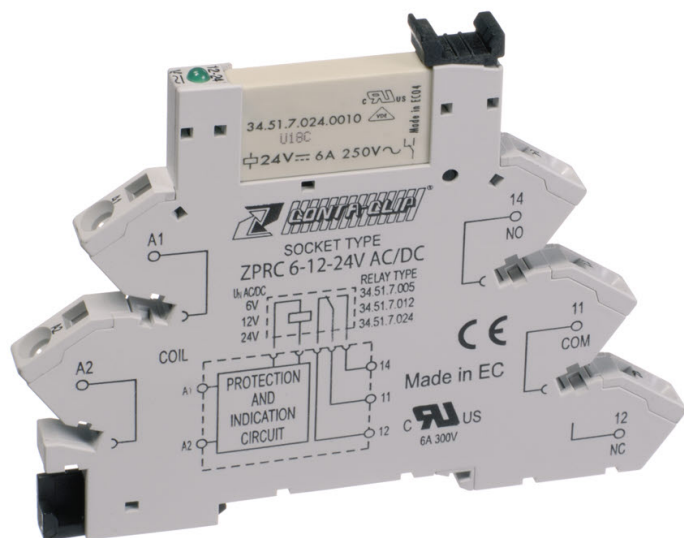


## 15521.2 ZPRCU 1/60V AC/DC



Plug-Relay-Compact (PRC) Complete, Consisting of base PRC... with screw connection and pluggable miniature relay PRC... with power contact, Mounting type: Mounting rail TS 35, 1 CO contact, Input voltage: 60 VAC/DC

### Business data

|  |                   |
|--|-------------------|
| Article number                             | <u>15521.2</u>    |
| Article name                               | ZPRCU 1/60V AC/DC |
| GTIN (EAN)                                 | 4044211118600     |
| Packaging unit                             | 10                |
| Quantity unit                              | PC                |
| Weight per piece (not including packaging) | 35.2 g            |
| Weight per piece (including packaging)     | 37.84 g           |
| Unit of weight                             | G                 |
| Customs number                             | 85364900          |
| Country of origin                          | DE                |
| Product description                        | Relay terminal    |

## 15521.2 ZPRCU 1/60V AC/DC

### Technical data

#### Dimensions

|                            |         |
|----------------------------|---------|
| Length                     | 93 mm   |
| Width                      | 6.2 mm  |
| Height TS 35 / 7.5 with BA | 79.9 mm |

#### Ratings

|                      |             |
|----------------------|-------------|
| Rated voltage Un     | 60 VAC/DC - |
| Overvoltage category | III         |
| Contamination degree | 3           |

#### Connection data

|  |                           |
|--|---------------------------|
| Connection principle                         | Tension-spring connection |
| Wire cross-section single core (rigid), min. | 0.2 mm <sup>2</sup>       |
| Wire cross-section single-core (rigid), max. | 2.5 mm <sup>2</sup>       |
| Wire cross-section stranded, min.            | 0.2 mm <sup>2</sup>       |
| Wire cross-section stranded, max.            | 2.5 mm <sup>2</sup>       |
| Stripping length                             | 10 mm                     |

#### Input data

|                   |                        |
|-------------------|------------------------|
| Holding current   | 0,6 Un AC/DC -         |
| Drop-out voltage  | 0,1 Un AC / 0,05 Un DC |
| Operating range   | 0,8-1,1 Un AC/DC       |
| Power consumption | 0,2 W                  |

#### Output data

|   |                    |
|---|--------------------|
| Switching voltage / switching voltage max.    | 250 / 400 VAC      |
| Continuous current max. / Inrush current max. | 6 / 10 A           |
| Contact configuration                         | 1 CO contact       |
| Switching capacity, max.                      | 1500 VA            |
| Electrical lifespan (AC1)                     | 60x10 <sup>3</sup> |
| Mechanical lifespan                           | 10x10 <sup>6</sup> |
| Contact load, min.                            | 500 mW             |
| Bounce time at close of the NO/NC contact     | 1/6 ms             |

#### Materials

|                           |        |
|---------------------------|--------|
| Contact material          | AgNi   |
| Working temperature, min. | -40 °C |
| Working temperature, max. | 70 °C  |

---

### Technical data

---

#### Further technical data

|                                    |          |
|------------------------------------|----------|
| Degree of protection               | IP20     |
| Status display                     | ✓        |
| Insulation voltage coil/contact    | 1 kV     |
| Response/release time              | 5 / 6 ms |
| Insulation voltage contact/contact | 6 kV     |
| Vibration resistance NO/NC         | 10/5 g   |

#### Environmental Product Compliance

|                                |            |
|--------------------------------|------------|
| REACH Conform                  | yes        |
| REACH Reference date           | 2024-01-23 |
| REACH Candidate Substance Note | No         |
| RoHS Conform                   | yes        |

---

### Approvals

---

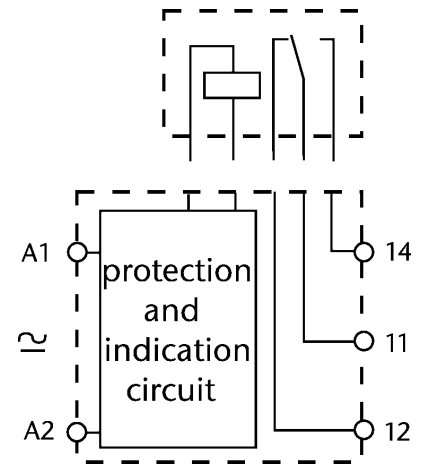
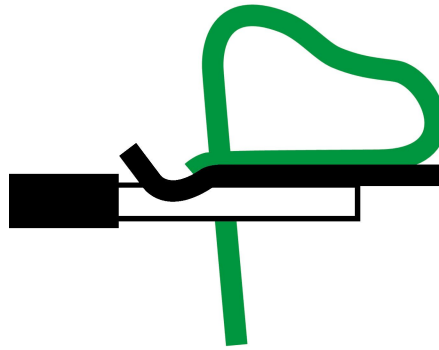
#### Standards and regulations

---

|                |                  |
|----------------|------------------|
| CE compliant   | yes              |
| cUL approval   | CSA-C22.2 No. 14 |
| UL approval    | UL 508           |
| UL Recognized  | 1                |
| cUL Recognized | 1                |

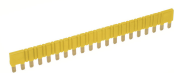
---

### Media



### Accessories

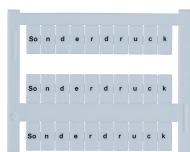
#### Cross-connector



External cross-connector insulated for Plug-Relay-Compact (PRC), 20-pole, can be shortened, Voltage: 250 V, Current: 36 A

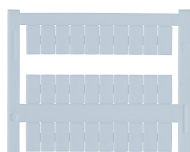
| Article number | Article name  | GTIN (EAN)    | Packaging unit |
|----------------|---------------|---------------|----------------|
| <u>15545.8</u> | AQI/PRC/20 YE | 4044211118440 | 1              |

#### Quick marking



Terminal marker / Pocket Maxicard, Length: 12 mm, Width: 6 mm, Colour: White

| Article number | Article name        | GTIN (EAN)    | Packaging unit |
|----------------|---------------------|---------------|----------------|
| <u>9107.7</u>  | PMC BSTR 6/30 So WH | 4044211099749 | 300 ST         |



Terminal marker / Pocket Maxicard, Length: 12 mm, Width: 6 mm, Colour: White

| Article number | Article name     | GTIN (EAN)    | Packaging unit |
|----------------|------------------|---------------|----------------|
| <u>9106.7</u>  | PMC BSTR 6/30 WH | 4044211099732 | 300 ST         |

#### Screwdriver



Screwdriver with bare blade, Colour: Black-grey

| Article number | Article name | GTIN (EAN)    | Packaging unit |
|----------------|--------------|---------------|----------------|
| <u>1086.0</u>  | SDB 0,6x3,5  | 4044211014797 | 1 ST           |

## 15521.2 ZPRCU 1/60V AC/DC

### Relays



Plug-in miniature power relay, With power contact, 1 CO contact, Input voltage: 60 VDC

| Article number | Article name | GTIN (EAN)    | Packaging unit |
|----------------|--------------|---------------|----------------|
| <u>15503.2</u> | PRC 1/60V DC | 4044211118167 | 10 ST          |