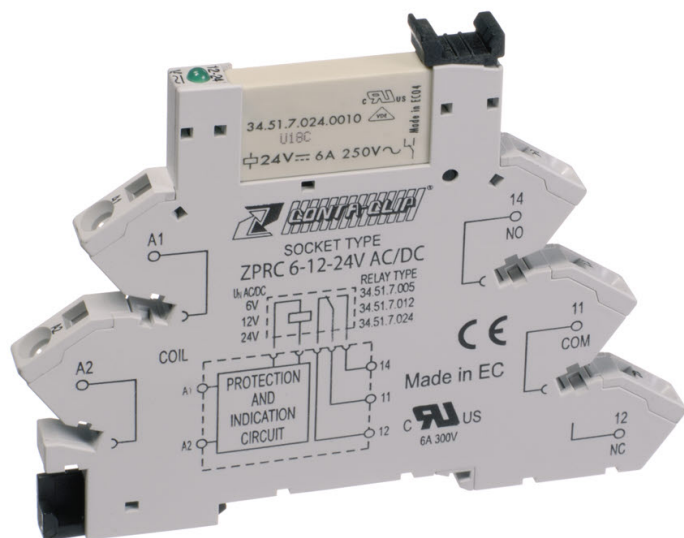


15556.2 ZPRC LW 110...125V AC/DC



Plug-Relay-Compact (PRC) socket base PRC with tension-spring connection and residual current suppression for long cables, Mounting type: Mounting rail TS 35, 1 CO contact, Input voltage: 110 to 125 VAC/DC

Business data

| | |
|--|--|
| Article number | <u>15556.2</u> |
| Article name | ZPRC LW 110...125V AC/DC |
| GTIN (EAN) | 4044211118358 |
| Packaging unit | 10 |
| Quantity unit | PC |
| Weight per piece (not including packaging) | 27.3 g |
| Weight per piece (including packaging) | 29.98 g |
| Unit of weight | G |
| Customs number | 85369010 |
| Country of origin | IT |
| Product description | Relay socket base with tension-spring connection |

15556.2 ZPRC LW 110...125V AC/DC

Technical data

Dimensions

| | |
|----------------------------|---------|
| Length | 93 mm |
| Width | 6.2 mm |
| Height TS 35 / 7.5 with BA | 79.9 mm |

Ratings

| | |
|----------------------|------------------|
| Rated voltage Un | 110-125 VAC/DC - |
| Overvoltage category | III |
| Contamination degree | 3 |

Connection data

| | |
|--|---------------------------|
| Connection principle | Tension-spring connection |
| Wire cross-section single core (rigid), min. | 0.2 mm ² |
| Wire cross-section single-core (rigid), max. | 2.5 mm ² |
| Wire cross-section stranded, min. | 0.2 mm ² |
| Wire cross-section stranded, max. | 2.5 mm ² |
| Stripping length | 10 mm |

Output data

| | |
|--|---------------|
| Switching voltage / switching voltage max. | 250 / 400 VAC |
| Contact configuration | 1 CO contact |

Materials

| | |
|---------------------------|--------|
| Working temperature, min. | -40 °C |
| Working temperature, max. | 70 °C |

Further technical data

| | |
|---------------------------------|------|
| Degree of protection | IP20 |
| Status display | ✓ |
| AC residual current suppression | ✓ |

Environmental Product Compliance

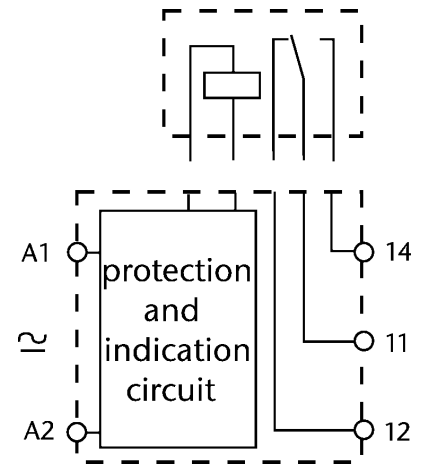
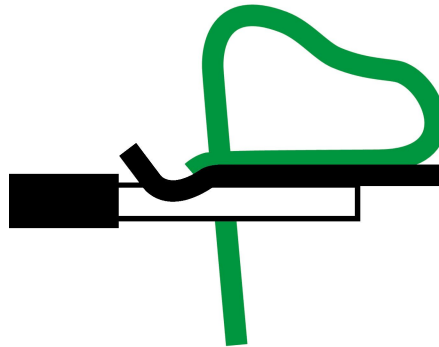
| | |
|--------------------------------|------------|
| REACH Conform | yes |
| REACH Reference date | 2024-01-23 |
| REACH Candidate Substance Note | No |
| RoHS Conform | yes |

Approvals

Standards and regulations

| | |
|----------------|------------------|
| CE compliant | yes |
| cUL approval | CSA-C22.2 No. 14 |
| UL approval | UL 508 |
| UL Recognized | 1 |
| cUL Recognized | 1 |

Media

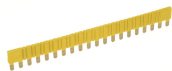


15556.2 ZPRC LW 110...125V AC/DC

Accessories

Cross-connector

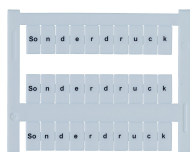
External cross-connector insulated for Plug-Relay-Compact (PRC), 20-pole, can be shortened, Voltage: 250 V, Current: 36 A



| Article number | Article name | GTIN (EAN) | Packaging unit |
|----------------|---------------|---------------|----------------|
| <u>15545.8</u> | AQI/PRC/20 YE | 4044211118440 | 1 |

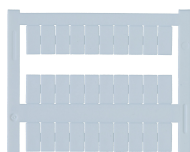
Quick marking

Terminal marker / Pocket Maxicard, Length: 12 mm, Width: 6 mm, Colour: White



| Article number | Article name | GTIN (EAN) | Packaging unit |
|----------------|---------------------|---------------|----------------|
| <u>9107.7</u> | PMC BSTR 6/30 So WH | 4044211099749 | 300 ST |

Terminal marker / Pocket Maxicard, Length: 12 mm, Width: 6 mm, Colour: White



| Article number | Article name | GTIN (EAN) | Packaging unit |
|----------------|------------------|---------------|----------------|
| <u>9106.7</u> | PMC BSTR 6/30 WH | 4044211099732 | 300 ST |

Screwdriver

Screwdriver with bare blade, Colour: Black-grey



| Article number | Article name | GTIN (EAN) | Packaging unit |
|----------------|--------------|---------------|----------------|
| <u>1086.0</u> | SDB 0,6x3,5 | 4044211014797 | 1 ST |

Relays

Plug-in miniature power relay, With power contact, 1 CO contact, Input voltage: 60 VDC



| Article number | Article name | GTIN (EAN) | Packaging unit |
|----------------|--------------|---------------|----------------|
| <u>15503.2</u> | PRC 1/60V DC | 4044211118167 | 10 ST |

15556.2 ZPRC LW 110...125V AC/DC

Relays



Plug-in miniature power relay, With multi-layer gold contact, 1 CO contact, Input voltage: 60 VDC

| Article number | Article name | GTIN (EAN) | Packaging unit |
|----------------|-----------------|---------------|----------------|
| <u>15568.2</u> | PRC 1/60V DC Au | 4044211118419 | 10 ST |

Partition plate



Partition plate for Plug-Relay-Compact (PRC) for separating relay blocks, width: 1.5 mm

| Article number | Article name | GTIN (EAN) | Packaging unit |
|----------------|--------------|---------------|----------------|
| <u>15546.2</u> | TW/PRC GR | 4044211118457 | 1 ST |