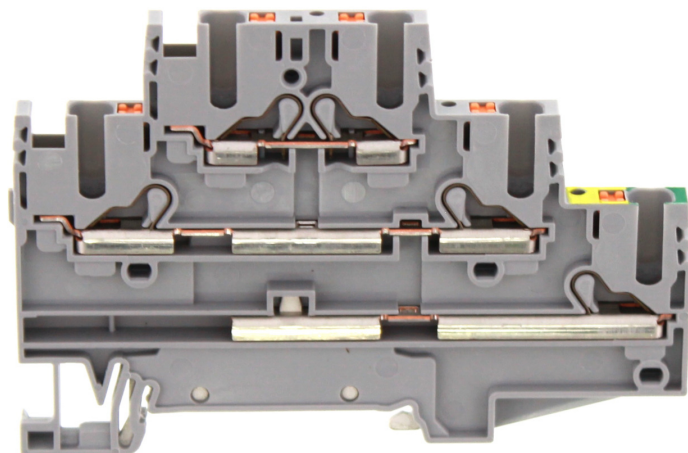


## 27048.6 PIKD 2,5/1PE/L/L GR



Three-level initiator terminal | Multi-wire terminal, Push-in connection, Mounting type: Mounting rail TS 35/7.5, Rated cross-section: 2.5 mm<sup>2</sup>, Width: 5.1 mm, Colour: Grey

**RAL:** Ähnlich 7035

### Business data

|  |  |
|--|--|
| Article number                             | 27048.6  |
| Article name                               | PIKD 2,5/1PE/L/L GR                                  |
| GTIN (EAN)                                 | 4044211227173  |
| Packaging unit                             | 50   |
| Quantity unit                              | PC   |
| Weight per piece (not including packaging) | 18.41 g  |
| Weight per piece (including packaging)     | 19.75 g  |
| Unit of weight                             | G  |
| Customs number                             | 85369010   |
| Country of origin                          | CZ   |
| Prio-Article                               | 27048.6  |
| Product description                        | Three-level initiator terminal   Multi-wire terminal |
| Colour                                     | Grey   |

### Technical data

#### Dimensions

|                  |         |
|------------------|---------|
| Length           | 86 mm   |
| Width            | 5.1 mm  |
| Height           | 56.2 mm |
| Height TS 35/7.5 | 57.7 mm |

#### Ratings

|   |                     |
|---|---------------------|
| Rated voltage                                   | 500 V               |
| Rated current                                   | 20 A                |
| Rated cross-section                             | 2.5 mm <sup>2</sup> |
| Rated impulse voltage                           | 6 kV                |
| Overvoltage category                            | III                 |
| Contamination degree                            | 3                   |
| Maximum power dissipation for nominal condition | 1.92 W              |

#### Connection data

|  |                     |
|--|---------------------|
| Connection principle                                     | Push-in connection  |
| Connection position                                      | Top                 |
| Connections  | 2 x 2 + 1           |
| Number of terminals per level                            | 2                   |
| Number of levels   | 3                   |
| Wire cross-section single-core (rigid) / stranded, min.  | 0.5 mm <sup>2</sup> |
| Wire cross-section single core (rigid)/stranded, max.    | 4 mm <sup>2</sup>   |
| Wire cross-section stranded, min.                        | 0.5 mm <sup>2</sup> |
| Wire cross-section stranded, max.                        | 2.5 mm <sup>2</sup> |
| Wire cross-section stranded with wire-end ferrules, min. | 0.5 mm <sup>2</sup> |
| Wire cross-section stranded with wire-end ferrules, max. | 2.5 mm <sup>2</sup> |
| Wire cross-section AWG, min.                             | 20                  |
| Wire cross-section AWG, max.                             | 12                  |
| Stripping length   | 10 mm               |

#### Materials

|                           |               |
|---------------------------|---------------|
| Insulation housing        | Polyamide 6.6 |
| Flammability class UL 94  | V-0           |
| Working temperature, min. | -40 °C        |
| Working temperature, max. | 120 °C        |

---

### Technical data

---

#### Further technical data

|                                     |                                      |
|-------------------------------------|--------------------------------------|
| Mounting type                       | Mounting rail TS 35/7,5 and TS 35/15 |
| Gauge plug acc. to EN 60 947-1      | A3                                   |
| Number of cross-connection channels | 3                                    |
| End plate required                  | ✓                                    |

#### Environmental Product Compliance

|                                |            |
|--------------------------------|------------|
| REACH Conform                  | yes        |
| REACH Reference date           | 2024-01-23 |
| REACH Candidate Substance Note | No         |
| RoHS Conform                   | yes        |

### Approvals

#### Standards and regulations

|              |                |
|--------------|----------------|
| EAC approval | TR ZU 004/2011 |
|--------------|----------------|

|                      |     |
|----------------------|-----|
| EAC approval granted | yes |
|----------------------|-----|

#### cUL Recognized

|              |                   |
|--------------|-------------------|
| cUL approval | CSA-C22.2 No. 158 |
|--------------|-------------------|

|                               |       |
|-------------------------------|-------|
| cUL Usegroup B: rated voltage | 300 V |
|-------------------------------|-------|

|                               |      |
|-------------------------------|------|
| cUL Usegroup B: rated current | 20 A |
|-------------------------------|------|

|                               |       |
|-------------------------------|-------|
| cUL Usegroup C: rated voltage | 300 V |
|-------------------------------|-------|

|                               |      |
|-------------------------------|------|
| cUL Usegroup C: rated current | 20 A |
|-------------------------------|------|

|                               |       |
|-------------------------------|-------|
| cUL Usegroup D: rated voltage | 600 V |
|-------------------------------|-------|

|                               |     |
|-------------------------------|-----|
| cUL Usegroup D: rated current | 5 A |
|-------------------------------|-----|

|  |    |
|--|----|
| cUL wire cross-section single-core (rigid) AWG, min. | 26 |
|--|----|

|  |    |
|--|----|
| cUL wire cross-section single-core (rigid) AWG, max. | 12 |
|--|----|

|   |    |
|---|----|
| cUL wire cross-section stranded AWG, min. | 26 |
|---|----|

|   |    |
|---|----|
| cUL wire cross-section stranded AWG, max. | 12 |
|---|----|

|                   |    |
|-------------------|----|
| cUL wire material | Cu |
|-------------------|----|

|                 |        |
|-----------------|--------|
| cUL File Number | E95701 |
|-----------------|--------|

|                |   |
|----------------|---|
| cUL Recognized | 1 |
|----------------|---|

#### KEMA KEUR approval

|                    |                   |
|--------------------|-------------------|
| KEMA KEUR approval | EN 60947-7-1:2009 |
|--------------------|-------------------|

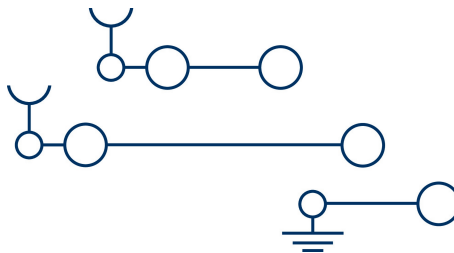
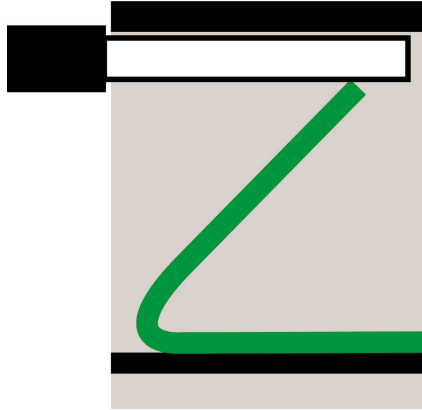
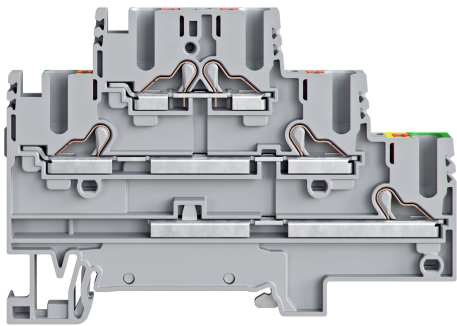
|                                |     |
|--------------------------------|-----|
| KEMA KEUR approval applied for | yes |
|--------------------------------|-----|

### Approvals

#### UL Recognized

|   |         |
|---|---------|
| UL approval   | UL 1059 |
| UL Usegroup B: rated voltage                        | 300 V   |
| UL Usegroup B: rated current                        | 20 A    |
| UL Usegroup C: rated voltage                        | 300 V   |
| UL Usegroup C: rated current                        | 20 A    |
| UL Usegroup D: rated voltage                        | 600 V   |
| UL Usegroup D: rated current                        | 5 A     |
| UL wire cross-section single-core (rigid) AWG, min. | 26      |
| UL wire cross-section single-core (rigid) AWG, max. | 12      |
| UL wire cross-section stranded AWG, min.            | 26      |
| UL wire cross-section stranded AWG, max.            | 12      |
| UL wire material                                    | Cu      |
| UL factory wiring                                   | 1       |
| UL field wiring                                     | 1       |
| UL File Number                                      | E95701  |
| UL Recognized                                       | 1       |

### Media



### Accessories

#### End plate



End plate, Width: 1.5 mm, Colour: Grey

| Article number | Article name    | GTIN (EAN)    | Packaging unit |
|----------------|-----------------|---------------|----------------|
| <u>27121.6</u> | PAPIKD/1 2,5 GR | 4044211227364 | 20             |

#### End stop



End stop, Mounting type: Mounting rail TS 35/7.5 and TS 35/15, Width: 5 mm, Colour: Beige

| Article number | Article name | GTIN (EAN)    | Packaging unit |
|----------------|--------------|---------------|----------------|
| <u>3811.2</u>  | ZES 35/2 BG  | 4044211080600 | 50             |

#### Insulated cross-connector



Insulated cross-connector, No. of poles: 2, Mounting type: Plug in, Width: 9.1 mm, Colour: Red

| Article number | Article name | GTIN (EAN)    | Packaging unit |
|----------------|--------------|---------------|----------------|
| <u>27132.9</u> | PQI 2,5/2 RD | 4044211225223 | 50             |



Insulated cross-connector, No. of poles: 4, Mounting type: Plug in, Width: 19.3 mm, Colour: Red

| Article number | Article name | GTIN (EAN)    | Packaging unit |
|----------------|--------------|---------------|----------------|
| <u>27134.9</u> | PQI 2,5/4 RD | 4044211225247 | 20             |



Insulated cross-connector, No. of poles: 10, Mounting type: Plug in, Width: 49.9 mm, Colour: Red

| Article number | Article name  | GTIN (EAN)    | Packaging unit |
|----------------|---------------|---------------|----------------|
| <u>27140.9</u> | PQI 2,5/10 RD | 4044211225261 | 10             |

## 27048.6 PIKD 2,5/1PE/L/L GR

### Insulated cross-connector



Insulated cross-connector, No. of poles: 10, Mounting type: Plug in, Width: 119.9 mm, Colour: Red

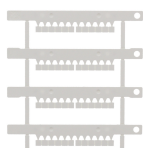
| Article number | Article name | GTIN (EAN)    | Packaging unit |
|----------------|--------------|---------------|----------------|
| <u>27151.9</u> | PQI 4/20 RD  | 4044211225339 | 5              |



Insulated cross-connector, No. of poles: 3, Mounting type: Plug in, Width: 14.2 mm, Colour: Red

| Article number | Article name | GTIN (EAN)    | Packaging unit |
|----------------|--------------|---------------|----------------|
| <u>27133.9</u> | PQI 2,5/3 RD | 4044211225230 | 50             |

### Quick marking



Terminal marker / PC Card, Length: 5 mm, Width: 5 mm, Colour: White

| Article number | Article name    | GTIN (EAN)    | Packaging unit |
|----------------|-----------------|---------------|----------------|
| <u>28342.7</u> | PC-SB 5X5/48 WH | 4044211210380 | 960 ST         |

### Identification adapter



Label holder, Pitch size: 5.1 mm, Colour: grey

| Article number | Article name | GTIN (EAN)    | Packaging unit |
|----------------|--------------|---------------|----------------|
| <u>27175.6</u> | PBA 3 GR     | 4044211226954 | 20 ST          |



Label holder, Pitch size: 5.1 mm, Colour: grey

| Article number | Article name | GTIN (EAN)    | Packaging unit |
|----------------|--------------|---------------|----------------|
| <u>27174.6</u> | PBA 2 GR     | 4044211226947 | 20 ST          |

### Screwdriver



## 27048.6 PIKD 2,5/1PE/L/L GR

Screwdriver with bare blade, Colour:



| Article number | Article name | GTIN (EAN)    | Packaging unit |
|----------------|--------------|---------------|----------------|
| <u>3169.0</u>  | SDB 0,4x2,5  | 4044211125202 | 1 ST           |