

Multiple relay module with manual actuation, Screw connection, With 8 miniature relays, 1 CO contact each, Plugged in, With illuminated display, Positive switching, Input voltage: 24 VDC

Business data

| | |
|--|-----------------|
| Article number | <u>6622.2</u> |
| Article name | RIM8-2S/1W/24V+ |
| GTIN (EAN) | 4044211075279 |
| Packaging unit | 1 |
| Quantity unit | PC |
| Weight per piece (not including packaging) | 358 g |
| Weight per piece (including packaging) | 434 g |
| Unit of weight | G |
| Customs number | 85364900 |
| Country of origin | NL |
| Product description | Relay module |

Technical data

Dimensions

| | |
|--------|--------|
| Length | 87 mm |
| Width | 150 mm |
| Height | 74 mm |

Ratings

| | |
|----------------------|-----|
| Overvoltage category | III |
| Contamination degree | 2 |

Connection data

| | |
|--|----------------------|
| Connection principle | Screw connection |
| Wire cross-section single core (rigid), min. | 0.08 mm ² |
| Wire cross-section single-core (rigid), max. | 4 mm ² |
| Wire cross-section stranded, min. | 0.2 mm ² |
| Wire cross-section stranded, max. | 2.5 mm ² |
| Wire cross-section stranded with wire-end ferrules, min. | 0.2 mm ² |
| Wire cross-section stranded with wire-end ferrules, max. | 2.5 mm ² |
| Stripping length | 7 mm |
| Torque | 0.6 Nm |

Input data

| | |
|-----------------------------------|--------|
| Input voltage | 24 VDC |
| Number of channels | 8 |
| Plus switching (source) | 1 |
| Power consumption | 0,6 W |
| reverse-polarity protection diode | 1 |

Output data

| | |
|---|---------------------|
| Switching voltage / switching voltage max. | 250 / 250 VAC |
| Continuous current max. / Inrush current max. | 6 / 10 A |
| Contact configuration | 1 CO contact |
| Switching capacity, max. | 2000 VA |
| Electrical lifespan (AC1) | 1,5x10 ⁵ |
| Mechanical lifespan | 10x10 ⁶ |

Technical data

Materials

| | |
|---------------------------|------------|
| Contact material | AgNi 90/10 |
| Working temperature, min. | -20 °C |
| Working temperature, max. | 55 °C |

Further technical data

| | |
|---------------------------------|----------|
| Protection class | IP20 |
| Insulation voltage coil/contact | 4 kV |
| Status display red | ✓ |
| Free-wheel diode | ✓ |
| Response/release time | 9 / 7 ms |
| Pinning | 3.5 mm |
| Manual/Off/Automatic switching | ✓ |
| Feedback loop | ✓ |
| Operating voltage indicator LED | ✓ |
| Pluggable relay | ✓ |

Environmental Product Compliance

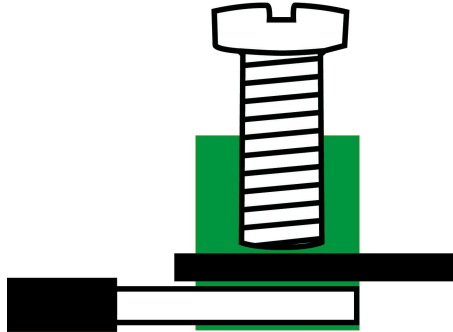
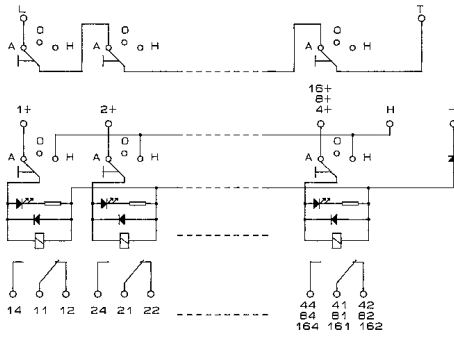
| | |
|--------------------------------|------------|
| REACH Conform | yes |
| REACH Reference date | 2024-01-23 |
| REACH Candidate Substance Note | No |
| RoHS Conform | yes |

Approvals

Standards and regulations

| | |
|----------------------------|-------------------------|
| CE compliant | yes |
| Standards / specifications | DIN VDE 0110 / EN 50178 |

Media



Accessories
