

Multiple relay module, Screw connection, With 8 miniature relays, 1 CO contact each, Soldered, With illuminated display, Positive switching, Input voltage: 12 VDC

Business data

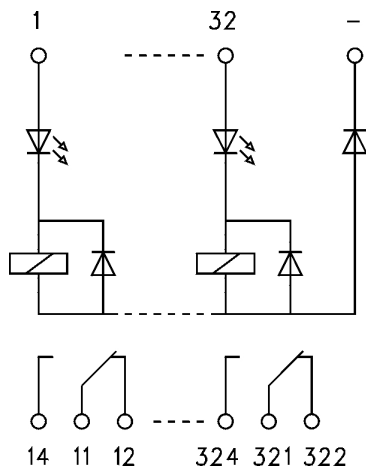
Article number	15006.2
Article name	RIMXD8/1W/12V+
GTIN (EAN)	4044211045548
Packaging unit	1
Quantity unit	PC
Weight per piece (not including packaging)	156 g
Weight per piece (including packaging)	186 g
Unit of weight	G
Customs number	85364900
Country of origin	NL
Product description	Relay module

Technical data

Environmental Product Compliance

REACH Conform	yes
REACH Reference date	2024-01-23
REACH Candidate Substance Note	No
RoHS Conform	yes

Media



Accessories
