



Multiple relay module, Screw connection, With 8 miniature relays, 1 CO contact each, Soldered, With illuminated display, Minus switching, Input voltage: 24 VDC

Business data

Article number	15010.2
Article name	RIMXD8/1W/24V-
GTIN (EAN)	4044211045586
Packaging unit	1
Quantity unit	PC
Weight per piece (not including packaging)	157 g
Weight per piece (including packaging)	187 g
Unit of weight	G
Customs number	85364900
Country of origin	NL
Product description	Relay module

Technical data

Environmental Product Compliance

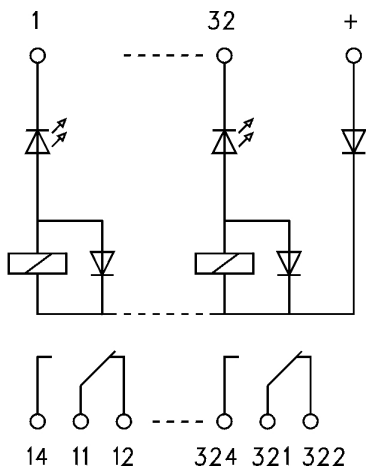
REACH Conform	yes
---------------	-----

REACH Reference date	2024-01-23
----------------------	------------

REACH Candidate Substance Note	No
--------------------------------	----

RoHS Conform	yes
--------------	-----

Media



Accessories
