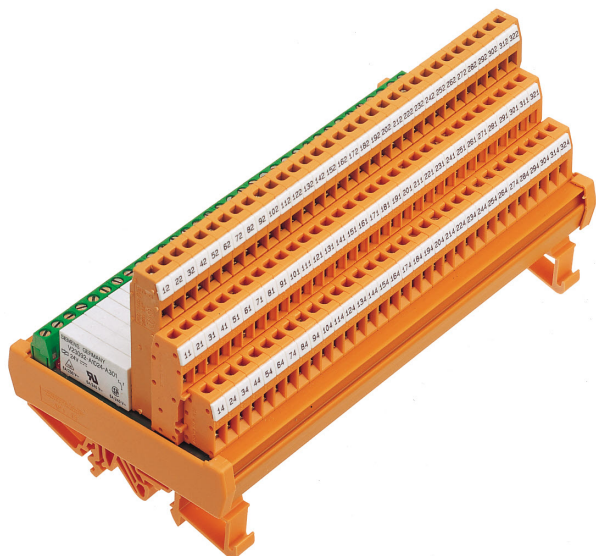


15011.2 RIMXD8/1W/24V AC/DC



Multiple relay module, Screw connection, With 8 miniature relays, 1 CO contact each, Soldered, With illuminated display, Separated channels, Input voltage: 24 VAC/DC

Business data

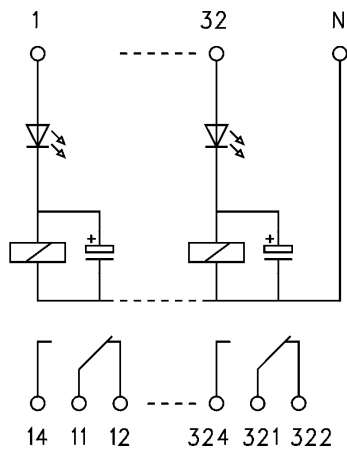
Article number	<u>15011.2</u>
Article name	RIMXD8/1W/24V AC/DC
GTIN (EAN)	4044211045593
Packaging unit	1
Quantity unit	PC
Weight per piece (not including packaging)	168.4 g
Weight per piece (including packaging)	190 g
Unit of weight	G
Customs number	85364900
Country of origin	NL
Product description	Relay module

Technical data

Environmental Product Compliance

REACH Conform	yes
REACH Reference date	2024-01-23
REACH Candidate Substance Note	No
RoHS Conform	yes

Media



Accessories
