



Relay socket base PRS, for industrial relay with 4 CO contacts, Screw connection, Plug-in option for input/suppression modules, Mounting type: Mounting rail TS 35

Business data

Article number	<u>15324.2</u>
Article name	PRS 4 G
GTIN (EAN)	4044211047139
Packaging unit	1
Quantity unit	PC
Weight per piece (not including packaging)	73.2 g
Weight per piece (including packaging)	77.07 g
Unit of weight	G
Customs number	85366990
Country of origin	CN
Product description	Relay socket base with screw connection

Technical data

Dimensions

Length	76 mm
Width	27.1 mm
Height TS 35 / 7.5 with BA	66 mm

Ratings

Overvoltage category	III
Contamination degree	2

Connection data

Connection principle	Screw connection
Wire cross-section single core (rigid), min.	0.2 mm ²
Wire cross-section single-core (rigid), max.	2.5 mm ²
Wire cross-section stranded, min.	0.2 mm ²
Wire cross-section stranded, max.	2.5 mm ²
Wire cross-section stranded with wire-end ferrules, min.	0.2 mm ²
Wire cross-section stranded with wire-end ferrules, max.	1.5 mm ²
Stripping length	8 mm
Torque	0.8 Nm

Output data

Switching voltage / switching voltage max.	240 / 240 VAC
Continuous current max. / Inrush current max.	10 A
Contact configuration	4 CO contacts

Materials

Flammability class UL 94	V-0
Working temperature, min.	-25 °C
Working temperature, max.	80 °C

Further technical data

Degree of protection	IP20
Insulation voltage coil/contact	4 kV
Insulation voltage contact/contact	1 kV
Pinning	2.8 (fast-on) mm

Data sheet

15324.2 PRS 4 G



Technical data

Environmental Product Compliance

REACH Conform	yes
REACH Reference date	2024-01-23
REACH Candidate Substance Note	No
RoHS Conform	yes

Data sheet

15324.2 PRS 4 G

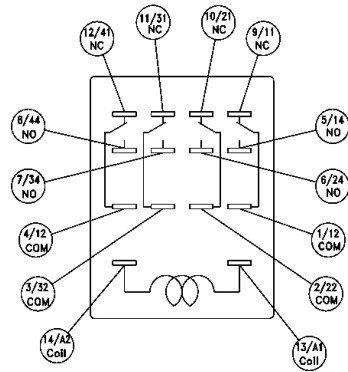
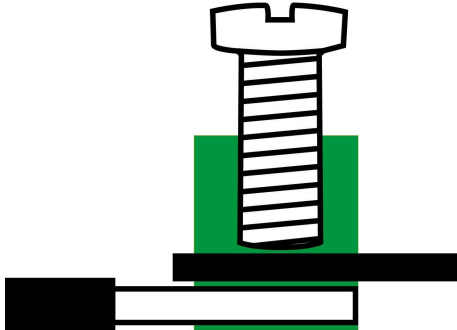


Approvals

Standards and regulations

CE compliant	yes
--------------	-----

Media



Accessories

Holding clamp



Relay holding clip, With eject, Suitable for relay socket base PRS 4, for industrial relays

Article number	Article name	GTIN (EAN)	Packaging unit
<u>15140.2</u>	PRS C4	4044211046224	1 ST

Insert modules



Insertion module, Suitable for relay socket base PRS, LED red status display, With free-wheel diode

Article number	Article name	GTIN (EAN)	Packaging unit
<u>15141.2</u>	PRS LED(RD) 24V DC	4044211046231	1 ST



Insertion module, Suitable for relay socket base PRS, LED red status display

Article number	Article name	GTIN (EAN)	Packaging unit
<u>15142.2</u>	PRS LED(RD) 230V AC	4044211046255	1 ST



Insertion module, Suitable for relay socket base PRS, LED red status display

Article number	Article name	GTIN (EAN)	Packaging unit
<u>15175.2</u>	PRS LED(RD) 24V UC	4044211046521	1 ST



Insertion module, Suitable for relay socket base PRS, LED red status display, With free-wheel diode

Article number	Article name	GTIN (EAN)	Packaging unit
<u>15422.2</u>	PRS LED(RD)/110V DC	4044211104306	1 ST

Plug-in module, Suitable for relay socket base PRS, RC element, Input voltage: 24 VAC

Article number	Article name	GTIN (EAN)	Packaging unit
<u>15808.2</u>	PRS RC 24V AC	4044211135201	1 ST

Insert modules

Plug-in module, Suitable for relay socket base PRS, RC element, Input voltage: 240 VAC

Article number	Article name	GTIN (EAN)	Packaging unit
<u>15809.2</u>	PRS RC 240V AC	4044211135218	1 ST



Insertion module, Suitable for relay socket base PRS, LED red status display, With varistor

Article number	Article name	GTIN (EAN)	Packaging unit
<u>15810.2</u>	PRS LED(RD) 230V UC Var.	4044211135225	1 ST



Insertion module, Suitable for relay socket base PRS, LED red status display, With varistor

Article number	Article name	GTIN (EAN)	Packaging unit
<u>16070.2</u>	PRS LED(GN) 24V UC Var.	4044211146078	1 ST

Cross-connector

External cross-connector insulated, for relay socket base PRS 4/6-pole, can be shortened, Voltage: 250 V, Current: 10 A



Article number	Article name	GTIN (EAN)	Packaging unit
<u>15778.2</u>	AQI/PRS/6 BK	4044211133993	20 ST

Relays

Plug-in industrial relays with power contacts, 4 CO contacts, Test button, Mechanical switching position indicator, Input voltage: 115 VAC



Article number	Article name	GTIN (EAN)	Packaging unit
<u>15257.2</u>	PRS 4/115V AC	4044211046835	1 ST

Relays



Plug-in industrial relays with power contacts, 4 CO contacts, Test button, Mechanical switching position indicator, Polarity A1+, A2-, Input voltage: 220 VDC

Article number	Article name	GTIN (EAN)	Packaging unit
<u>15368.2</u>	PRS 4/220V DC	4044211078591	1 ST



Plug-in industrial relays with power contacts, 4 CO contacts, Test button, Mechanical switching position indicator, Polarity A1+, A2-, Input voltage: 220 VDC

Article number	Article name	GTIN (EAN)	Packaging unit
<u>15368.2</u>	PRS 4/220V DC	4044211078591	1 ST



Plug-in industrial relays with power contacts, 4 CO contacts, Test button, Mechanical switching position indicator, Polarity A1+, A2-, Input voltage: 48 VDC

Article number	Article name	GTIN (EAN)	Packaging unit
<u>15461.2</u>	PRS 4/48V DC	4044211107086	1 ST



Plug-in industrial relays with power contacts, 4 CO contacts, Test button, Mechanical switching position indicator, Polarity A1+, A2-, Input voltage: 48 VDC

Article number	Article name	GTIN (EAN)	Packaging unit
<u>15461.2</u>	PRS 4/48V DC	4044211107086	1 ST



Plug-in industrial relays with power contacts, 2 CO contacts, Test button, Status LED, Mechanical switching position indicator, Input voltage: 24 VAC

Article number	Article name	GTIN (EAN)	Packaging unit
<u>15592.2</u>	PRS 4/24V AC eco	4044211118983	1 ST



Plug-in industrial relays with power contacts, 4 CO contacts, Test button, Mechanical switching position indicator, Polarity A1+, A2-, Input voltage: 110 VDC

Article number	Article name	GTIN (EAN)	Packaging unit
<u>15542.2</u>	PRS 4/110V DC	4044211117931	1 ST

Relays



Plug-in industrial relays with power contacts, 2 CO contacts, Test button, Status LED, Free-wheel diode, Mechanical switching position indicator, Polarity A1+, A2-, Input voltage: 24 VDC

Article number	Article name	GTIN (EAN)	Packaging unit
<u>15591.2</u>	PRS 4/24V DC eco	4044211118976	1 ST



Plug-in industrial relays with power contacts, 2 CO contacts, Test button, Status LED, Mechanical switching position indicator, Input voltage: 230 VAC

Article number	Article name	GTIN (EAN)	Packaging unit
<u>15593.2</u>	PRS 4/230V AC eco	4044211118990	1 ST



Plug-in industrial relays with multi-layer gold contact, 4 CO contacts, Test button, Mechanical switching position indicator, Polarity A1+, A2-, Input voltage: 24 VDC

Article number	Article name	GTIN (EAN)	Packaging unit
<u>16126.2</u>	PRS 4/24V DC Au	4044211178208	1 ST



Plug-in industrial relays with power contacts, 4 CO contacts, Test button, Mechanical switching position indicator, Polarity A1+, A2-, Input voltage: 12 VDC

Article number	Article name	GTIN (EAN)	Packaging unit
<u>6486.2</u>	PRS 4/12V DC	4044211104283	1 ST



Plug-in industrial relays with power contacts, 4 CO contacts, Test button, Mechanical switching position indicator, Polarity A1+, A2-, Input voltage: 24 VDC

Article number	Article name	GTIN (EAN)	Packaging unit
<u>6487.2</u>	PRS 4/24V DC	4044211074258	1 ST



Plug-in industrial relays with power contacts, 4 CO contacts, Test button, Mechanical switching position indicator, Input voltage: 24 VAC

Article number	Article name	GTIN (EAN)	Packaging unit
<u>6488.2</u>	PRS 4/24V AC	4044211074265	1 ST

Data sheet

15324.2 PRS 4 G

Relays



Plug-in industrial relays with power contacts, 4 CO contacts, Test button, Mechanical switching position indicator, Input voltage: 230 VAC

Article number	Article name	GTIN (EAN)	Packaging unit
<u>6489.2</u>	PRS 4/230V AC	4044211074272	1 ST
