

Plug-Relay-Compact (PRC) Complete, Consisting of base PRC... with screw connection and pluggable miniature relay PRC... with power contact, Mounting type: Mounting rail TS 35, 1 CO contact, Input voltage: 12 VDC

### Business data

Article number	<u>15514.2</u>
Article name	PRCU 1/12V DC
GTIN (EAN)	4044211118532
Packaging unit	10
Quantity unit	PC
Weight per piece (not including packaging)	33.6 g
Weight per piece (including packaging)	36.26 g
Unit of weight	G
Customs number	85364900
Country of origin	DE
Product description	Relay terminal

### Technical data

#### Dimensions

Length	87.3 mm
Width	6.2 mm
Height TS 35 / 7.5 with BA	79.9 mm

#### Ratings

Rated voltage Un	12 VDC -
Overvoltage category	III
Contamination degree	3

#### Connection data

Connection principle	Screw connection
Wire cross-section single core (rigid), min.	0.2 mm <sup>2</sup>
Wire cross-section single-core (rigid), max.	2.5 mm <sup>2</sup>
Wire cross-section stranded, min.	0.2 mm <sup>2</sup>
Wire cross-section stranded, max.	2.5 mm <sup>2</sup>
Stripping length	10 mm
Torque	0.5 Nm

#### Input data

Holding current	0,6 Un -
Drop-out voltage	0,05 Un
Operating range	0,8-1,2 Un
Power consumption	0,2 W

#### Output data

Switching voltage / switching voltage max.	250 / 400 VAC
Continuous current max. / Inrush current max.	6 / 10 A
Contact configuration	1 CO contact
Switching capacity, max.	1500 VA
Electrical lifespan (AC1)	60x10 <sup>3</sup>
Mechanical lifespan	10x10 <sup>6</sup>
Contact load, min.	500 mW
Bounce time at close of the NO/NC contact	1/6 ms

#### Materials

Contact material	AgNi
Working temperature, min.	-40 °C
Working temperature, max.	70 °C

---

### Technical data

---

#### Further technical data

Degree of protection	IP20
Status display	✓
Insulation voltage coil/contact	1 kV
Free-wheel diode	✓
Response/release time	5 / 6 ms
Insulation voltage contact/contact	6 kV
Vibration resistance NO/NC	10/5 g

#### Environmental Product Compliance

REACH Conform	yes
REACH Reference date	2024-01-23
REACH Candidate Substance Note	No
RoHS Conform	yes

---

### Approvals

---

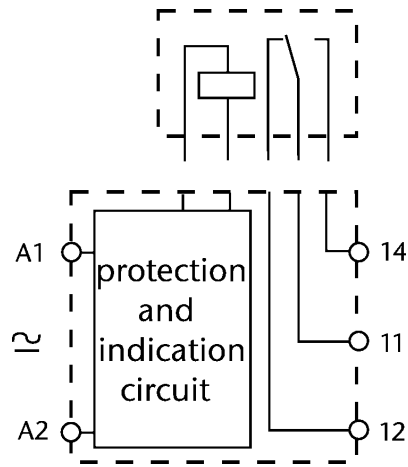
#### Standards and regulations

---

CE compliant	yes
cUL approval	CSA-C22.2 No. 14
UL approval	UL 508
UL Recognized	1
cUL Recognized	1

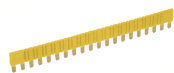
---

### Media



### Accessories

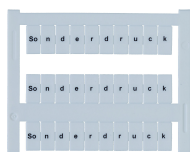
#### Cross-connector



External cross-connector insulated for Plug-Relay-Compact (PRC), 20-pole, can be shortened, Voltage: 250 V, Current: 36 A

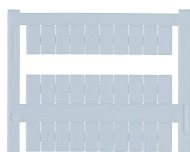
Article number	Article name	GTIN (EAN)	Packaging unit
<u>15545.8</u>	AQI/PRC/20 YE	4044211118440	1

#### Quick marking



Terminal marker / Pocket Maxicard, Length: 12 mm, Width: 6 mm, Colour: White

Article number	Article name	GTIN (EAN)	Packaging unit
<u>9107.7</u>	PMC BSTR 6/30 So WH	4044211099749	300 ST



Terminal marker / Pocket Maxicard, Length: 12 mm, Width: 6 mm, Colour: White

Article number	Article name	GTIN (EAN)	Packaging unit
<u>9106.7</u>	PMC BSTR 6/30 WH	4044211099732	300 ST

#### Screwdriver



Screwdriver with bare blade, Colour: Black-grey

Article number	Article name	GTIN (EAN)	Packaging unit
<u>1086.0</u>	SDB 0,6x3,5	4044211014797	1 ST

## 15514.2 PRCU 1/12V DC

### Relays



Plug-in miniature power relay, With power contact, 1 CO contact, Input voltage: 12 VDC

Article number	Article name	GTIN (EAN)	Packaging unit
<u>15501.2</u>	PRC 1/12V DC	4044211118136	10 ST

### Partition plate



Partition plate for Plug-Relay-Compact (PRC) for separating relay blocks, width: 1.5 mm

Article number	Article name	GTIN (EAN)	Packaging unit
<u>15546.2</u>	TW/PRC GR	4044211118457	1 ST