

Data sheet

15561.2 RM/HA/24VUC



Auto-on/off relay module, manual-off-automatic operation, installation design, feedback loop, Screw connection, Mounting type: Mounting rail TS 35, 1 CO contact

Business data

Article number	<u>15561.2</u>
Article name	RM/HA/24VUC
GTIN (EAN)	4044211134082
Packaging unit	1
Quantity unit	PC
Weight per piece (not including packaging)	43.1 g
Weight per piece (including packaging)	46.62 g
Unit of weight	G
Customs number	85364900
Country of origin	IT
Product description	Relay module

Technical data

Dimensions

Length	84 mm
Width	11.2 mm
Height TS 35 / 7.5 with BA	64 mm

Ratings

Rated voltage	250 / 400 VAC V
Rated impulse voltage	4 kV
Overvoltage category	III
Contamination degree	2

Connection data

Connection principle	Screw connection
Wire cross-section single core (rigid), min.	0.2 mm ²
Wire cross-section single-core (rigid), max.	6 mm ²
Wire cross-section stranded, min.	0.2 mm ²
Wire cross-section stranded, max.	4 mm ²
Wire cross-section stranded with wire-end ferrules, min.	0.2 mm ²
Wire cross-section stranded with wire-end ferrules, max.	4 mm ²
Stripping length	7 mm
Torque	0.5 Nm

Input data

Power supply AC/DC	24 V
Power consumption	0,4 W
Tolerance	-20% / 10%

Output data

Switching current, min.	0,005 (300 mW) A
Switching current, max.	30/110/220 V (DC1): 10/0,3/0,12 A
Continuous current max. / Inrush current max.	10 / 15 A
Contact material	AgSnO ₂
Electrical lifespan (AC1)	100x10 ³
Mechanical lifespan	10x10 ⁶
Relay contact	1 CO contact
Switching capacity of aligned device (gap < 5 mm)	AC1: 2500VA / AC15: 500VA

Technical data

Materials

Working temperature, min.	-20 °C
---------------------------	--------

Working temperature, max.	50 °C
---------------------------	-------

Further technical data

Status display	✓
----------------	---

Environmental Product Compliance

REACH Conform	yes
---------------	-----

REACH Reference date	2024-01-23
----------------------	------------

REACH Candidate Substance Note	No
--------------------------------	----

RoHS Conform	yes
--------------	-----

Approvals

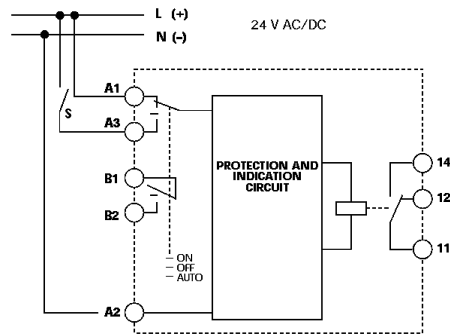
Standards and regulations

CE compliant	yes
--------------	-----

Data sheet

15561.2 RM/HA/24VUC

Media



Accessories
