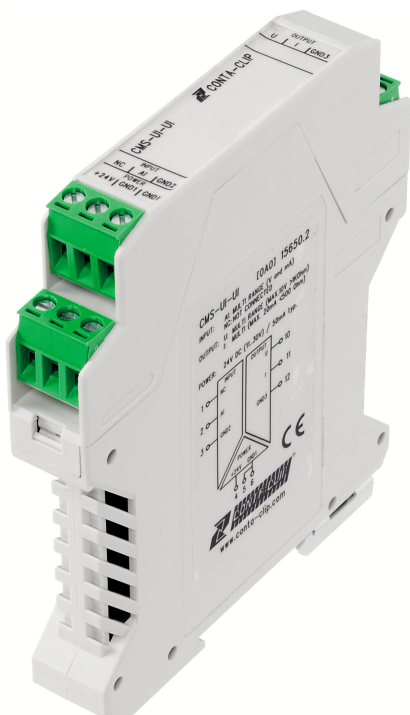


# Data sheet

## 15884.2 CMS-UI-R



Signal converter for converting voltage/current signals to a relay output, 3-way electrical isolation, Screw connection, Mounting type: Mounting rail TS 35, Supply voltage: 24 VDC

### Business data

Article number	<u>15884.2</u>
Article name	CMS-UI-R
GTIN (EAN)	4044211134754
Packaging unit	1
Quantity unit	PC
Weight per piece (not including packaging)	106.2 g
Weight per piece (including packaging)	142.2 g
Unit of weight	G
Customs number	85423190
Country of origin	NL
Product description	Converter unit

### Technical data

#### Dimensions

Length	99 mm
Width	17.5 mm
Height	114.5 mm

#### Ratings

Overvoltage category	III
Contamination degree	2

#### Connection data

Connection principle	Screw connection
Wire cross-section single core (rigid), min.	0.2 mm <sup>2</sup>
Wire cross-section single-core (rigid), max.	2.5 mm <sup>2</sup>
Wire cross-section stranded, min.	0.2 mm <sup>2</sup>
Wire cross-section stranded, max.	2 mm <sup>2</sup>
Wire cross-section stranded with wire-end ferrules, min.	0.2 mm <sup>2</sup>
Wire cross-section stranded with wire-end ferrules, max.	2.5 mm <sup>2</sup>
Stripping length	7 mm
Torque	6 Nm

#### Input data

Input signal U/I, max.	40 VDC / 25 mA
Input resistance U/I	>200K / 50 Ohm

#### Output data

Continuous current (resistive load), max.	3 A
Relay contact	1 CO contact

#### Materials

Working temperature, min.	-20 °C
Working temperature, max.	55 °C
Temperature coefficient	<0.02% °C

# Data sheet

## 15884.2 CMS-UI-R

---

### Technical data

---

#### Further technical data

Power supply	24 VDC $\pm$ 25% -
Current consumption	50 mA
Electrical isolation	✓
Protection class	IP20
Insulation voltage input / output	4 kV
Insulation voltage power supply / signal	1 kV / 50 Hz / 1 min

#### Environmental Product Compliance

REACH Conform	yes
REACH Reference date	2024-01-23
REACH Candidate Substance Note	No
RoHS Conform	yes

---

### Approvals

---

#### Standards and regulations

---

CE compliant

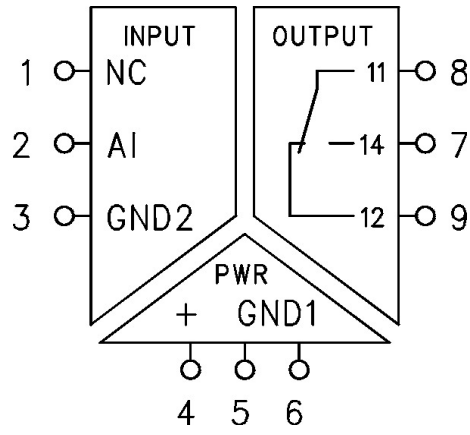
yes

Standards / specifications

DIN VDE 0110 / EN 50178

---

### Media



---

### Accessories

---