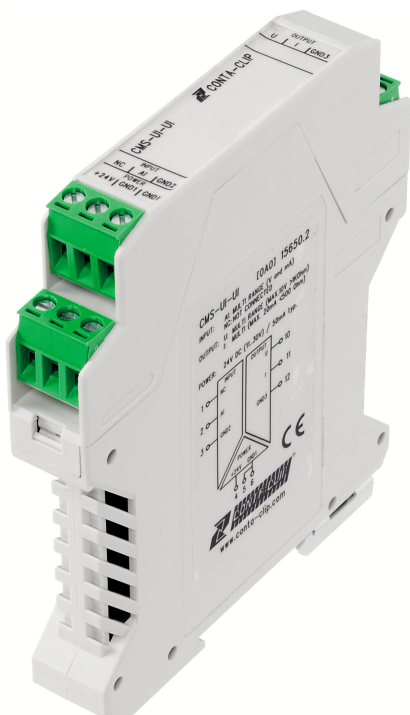


Data sheet

15886.2 CMS-F-UI



Signal converter for converting frequency signals to an analogue standard signal, 3-way electrical isolation, Screw connection, Mounting type: Mounting rail TS 35, Supply voltage: 24 VDC

Business data

Article number	<u>15886.2</u>
Article name	CMS-F-UI
GTIN (EAN)	4044211134778
Packaging unit	1
Quantity unit	PC
Weight per piece (not including packaging)	104.3 g
Weight per piece (including packaging)	117.3 g
Unit of weight	G
Customs number	85423190
Country of origin	NL
Product description	Converter unit

Technical data

Dimensions

Length	99 mm
Width	17.5 mm
Height	114.5 mm

Ratings

Overvoltage category	III
Contamination degree	2

Connection data

Connection principle	Screw connection
Wire cross-section single core (rigid), min.	0.2 mm ²
Wire cross-section single-core (rigid), max.	2.5 mm ²
Wire cross-section stranded, min.	0.2 mm ²
Wire cross-section stranded, max.	2.5 mm ²
Wire cross-section stranded with wire-end ferrules, min.	0.2 mm ²
Wire cross-section stranded with wire-end ferrules, max.	2.5 mm ²
Stripping length	7 mm
Torque	0.6 Nm

Input data

Input signal U/I, max.	5-24 VAC/DC
Frequency	1-10K, adjustable Hz
Input signals adjustable via DIP switch	1
Resolution	5 ppm of the measured value

Output data

Output signal adjustable via DIP switch	✓
Load resistance U	>1K Ohm
Load resistance I	<600 Ohm
Offset I	20 µA
Offset U	<10 mV
Output signal I, max.	30 mA
Output signal U, max.	<15 V

Technical data

Materials

Working temperature, min.	-20 °C
Working temperature, max.	55 °C
Temperature coefficient	<0,02% °C

Further technical data

Power supply	24 VDC ± 25% -
Current consumption	50 mA
Electrical isolation	✓
Response time	350 + 2x period of the input frequency ms
Transmission error (from end value)	<0,2%
Protection class	IP20
Insulation voltage input / output	1 kV / 50 Hz / 1 min
Insulation voltage power supply / signal	1 kV / 50 Hz / 1 min

Environmental Product Compliance

REACH Conform	yes
REACH Reference date	2024-01-23
REACH Candidate Substance Note	No
RoHS Conform	yes

Data sheet

15886.2 CMS-F-UI



Approvals

Standards and regulations

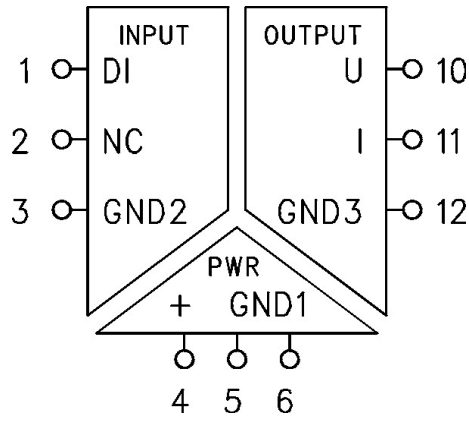
CE compliant

yes

Standards / specifications

DIN VDE0110 / EN 50178

Media



Accessories
