

Data sheet

15903.2 CML-UI-UI-G



Signal converter for converting voltage/current signals to an analogue standard signal, 3-way electrical isolation, Screw connection, Mounting type: Mounting rail TS 35, Supply voltage: 24 VDC

Business data

Article number	<u>15903.2</u>
Article name	CML-UI-UI-G
GTIN (EAN)	4044211144463
Packaging unit	1
Quantity unit	PC
Weight per piece (not including packaging)	53 g
Weight per piece (including packaging)	76 g
Unit of weight	G
Customs number	85423190
Country of origin	NL
Product description	Converter unit

Technical data

Dimensions

Length	93.1 mm
Width	6.2 mm
Height	102.5 mm

Ratings

Overvoltage category	III
Contamination degree	2

Connection data

Connection principle	Screw connection
Wire cross-section single core (rigid), min.	0.2 mm ²
Wire cross-section single-core (rigid), max.	2.5 mm ²
Wire cross-section stranded, min.	0.2 mm ²
Wire cross-section stranded, max.	2.5 mm ²
Wire cross-section stranded with wire-end ferrules, min.	0.2 mm ²
Wire cross-section stranded with wire-end ferrules, max.	2.5 mm ²
Stripping length	8 mm
Torque	0.6 Nm

Input data

Input signal U/I, max.	20 VDC / 40 mA
Input resistance U/I	>50K / 50 Ohm
Input signals adjustable via DIP switch	1

Output data

Output signal adjustable via DIP switch	✓
Load resistance U	>1K Ohm
Load resistance I	<500 Ohm
Offset I	20 µA
Offset U	<20 mV
Output signal I, max.	21 mA
Output signal U, max.	10,5 V

Materials

Working temperature, min.	-20 °C
Working temperature, max.	55 °C
Temperature coefficient	<0,01% / K °C

Technical data

Further technical data

Power supply	24 V \pm 25% -
Current consumption	45 mA
Electrical isolation	✓
Transmission error (from end value)	<0,2%
Limit frequency (-3 dB)	10 Hz
Protection class	IP20
Insulation voltage input / output	1 kV / 50 Hz / 1 min
Insulation voltage power supply / signal	1 kV / 50 Hz / 1 min
Conversion error set / not set	<0,2%

Environmental Product Compliance

REACH Conform	yes
REACH Reference date	2024-01-23
REACH Candidate Substance Note	No
RoHS Conform	yes

Approvals

Standards and regulations

CE compliant

yes

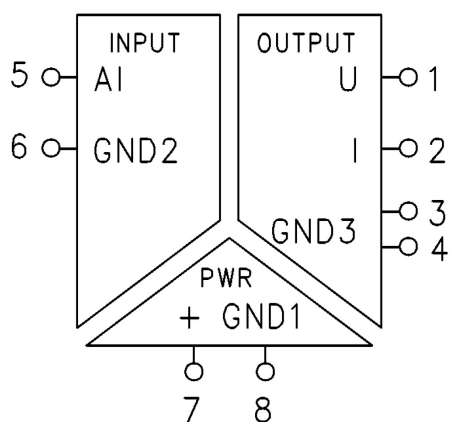
Standards / specifications

DIN VDE 0110 / EN 50178

Data sheet

15903.2 CML-UI-UI-G

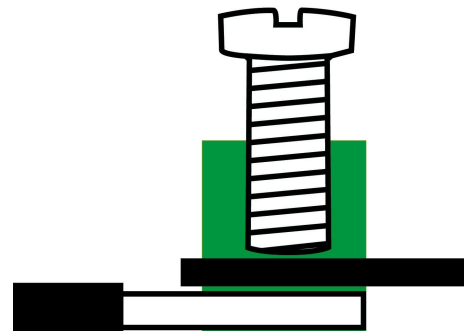
Media



DIPSWITCH SELECTION

INPUT	S1.1	S1.2	S1.3	S1.4	S2.1
0..10V	OFF	ON	OFF	OFF	OFF
2..10V	OFF	ON	OFF	OFF	ON
0..5V	OFF	ON	OFF	ON	OFF
1..5V	OFF	ON	OFF	ON	ON
0..20mA	ON	OFF	ON	OFF	OFF
4..20mA	ON	OFF	ON	OFF	ON

OUTPUT	S2.2	S2.3	S2.4
0..10V	OFF	OFF	OFF
2..10V	OFF	OFF	ON
0..5V	OFF	ON	OFF
1..5V	OFF	ON	ON
0..20mA	ON	OFF	OFF
4..20mA	ON	OFF	ON



Accessories
