

Transformer terminal, Push-in connection, Mounting type: Custom profile, Rated cross-section: 4 mm², Width: 15 mm, Colour: Grey

RAL: Ähnlich 7035

Business data

Article number	<u>27081.6</u>
Article name	PTKS 4/2 GR
GTIN (EAN)	4044211242817
Packaging unit	25
Quantity unit	PC
Weight per piece (not including packaging)	9.57 g
Weight per piece (including packaging)	9.84 g
Unit of weight	G
Customs number	85369010
Country of origin	BG
Prio-Article	27081.6
Product description	Transformer terminal
Colour	Grey

Technical data

Dimensions

Length	32.5 mm
Width	15 mm
Height	35.4 mm

Ratings

Rated voltage	800 V
Rated current	32 A
Rated cross-section	4 mm ²
Rated impulse voltage	8 kV
Overvoltage category	III
Contamination degree	3
Maximum power dissipation for nominal condition	2.04 W

Connection data

Connection principle	Push-in connection
Connection position	Top
Connections	2
Wire cross-section single-core (rigid) / stranded, min.	0.5 mm ²
Wire cross-section single core (rigid)/stranded, max.	6 mm ²
Wire cross-section stranded, min.	0.5 mm ²
Wire cross-section stranded, max.	4 mm ²
Wire cross-section stranded with wire-end ferrules, min.	0.5 mm ²
Wire cross-section stranded with wire-end ferrules, max.	4 mm ²
Wire cross-section AWG, min.	20
Wire cross-section AWG, max.	10
Stripping length	12 mm

Materials

Insulation housing	Polyamide 6.6
Flammability class UL 94	V-0
Working temperature, min.	-40 °C
Working temperature, max.	120 °C

Technical data

Further technical data

Mounting type	Custom profile
Gauge plug acc. to EN 60 947-1	A4
Number of cross-connection channels	1

Environmental Product Compliance

REACH Conform	yes
REACH Reference date	2024-01-23
REACH Candidate Substance Note	No
RoHS Conform	yes

Approvals

cUL Recognized

cUL approval	C22.2 No 158
cUL Usegroup B: rated voltage	600 V
cUL Usegroup B: rated current	30 A
cUL Usegroup C: rated voltage	600 V
cUL Usegroup C: rated current	30 A
cUL wire cross-section single-core (rigid) AWG, min.	20
cUL wire cross-section single-core (rigid) AWG, max.	10
cUL wire cross-section stranded AWG, min.	20
cUL wire cross-section stranded AWG, max.	10
cUL wire material	Cu
cUL File Number	E95701
cUL Recognized	1

KEMA KEUR approval

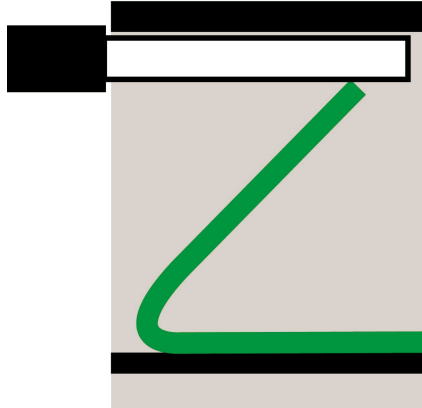
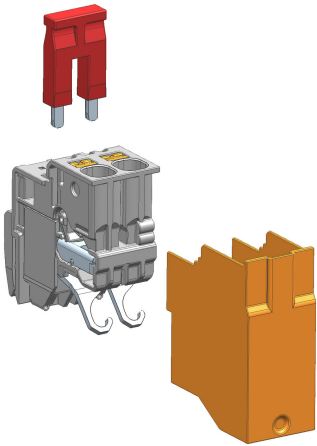
KEMA KEUR approval	EN 60947-7-1:2009
KEMA KEUR approval granted	yes
KEMA rated voltage	800 V
KEMA rated current	32 A
KEMA rated impulse voltage	8 kV
KEMA wire cross-section single core (rigid), min.	0.5 mm ²
KEMA wire cross-section single-core (rigid), max.	6 mm ²
KEMA wire cross-section stranded, min.	0.5 mm ²
KEMA wire cross-section stranded, max.	4 mm ²
KEMA wire cross-section stranded with wire-end ferrules, min.	0.5 mm ²
KEMA wire cross-section stranded with wire-end ferrules, max.	4 mm ²

Approvals

UL Recognized

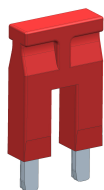
UL approval	UL 1059
UL Usegroup B: rated voltage	600 V
UL Usegroup B: rated current	30 A
UL Usegroup C: rated voltage	600 V
UL Usegroup C: rated current	30 A
UL wire cross-section single-core (rigid) AWG, min.	20
UL wire cross-section single-core (rigid) AWG, max.	10
UL wire cross-section stranded AWG, min.	20
UL wire cross-section stranded AWG, max.	10
UL wire material	Cu
UL factory wiring	1
UL field wiring	1
UL File Number	E95701
UL Recognized	1

Media



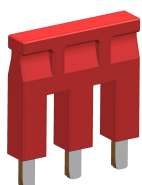
Accessories

Insulated cross-connector



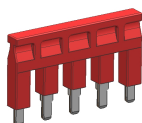
Insulated cross-connector, No. of poles: 2, Mounting type: Plug in, Pitch size: 7.5 mm, Colour: Red

Article number	Article name	GTIN (EAN)	Packaging unit
<u>27084.9</u>	PQI 4/2/PTKS RD	4044211245832	50 ST



Insulated cross-connector, No. of poles: 3, Mounting type: Plug in, Pitch size: 7.5 mm, Colour: Red

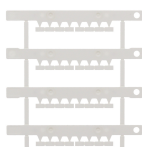
Article number	Article name	GTIN (EAN)	Packaging unit
<u>27085.9</u>	PQI 4/3/PTKS RD	4044211245849	50 ST



Insulated cross-connector, No. of poles: 5, Mounting type: Plug in, Pitch size: 7.5 mm, Colour: Red

Article number	Article name	GTIN (EAN)	Packaging unit
<u>27086.9</u>	PQI 4/5/PTKS RD	4044211245856	20 ST

Markers



Terminal marker / PC Card, Length: 7.5 mm, Width: 5 mm, Colour: White

Article number	Article name	GTIN (EAN)	Packaging unit
<u>28357.7</u>	PC-SB 7,5X4/32 WH	4044211216085	640 ST



Terminal marker / Maxicard, Length: 5 mm, Width: 7.5 mm, Colour: White

Article number	Article name	GTIN (EAN)	Packaging unit
<u>3326.7</u>	MC SB 7,5/160 WH	4044211128838	800



Terminal marker / Maxicard, Length: 5 mm, Width: 7.5 mm, Colour: White

Article number	Article name	GTIN (EAN)	Packaging unit
<u>9327.7</u>	MC SB 7,5/160 So WH	4044211169220	800

Markers



Terminal marker / Pocket Maxicard, Length: 5 mm, Width: 7.5 mm, Colour: White

Article number	Article name	GTIN (EAN)	Packaging unit
<u>3327.7</u>	PMC SB 7,5/40 So WH	4044211128845	400 ST

Protective hood



Cover hood for transformer terminal, 2-pole, Material: PA6.6, Colour: Orange

Article number	Article name	GTIN (EAN)	Packaging unit
<u>27082.3</u>	PTKS-ADH 4/2 OG	4044211242824	50