

Transformer-fused terminal, Push-in connection, Mounting type: Custom profile, Rated cross-section: 4 mm<sup>2</sup>, Width: 12.5 mm, Colour: Gray

**RAL:** Ähnlich 7035

### Business data

Article number	27087.6
Article name	PTKS 4/SI 5x20 GR
GTIN (EAN)	4044211242862
Packaging unit	50
Quantity unit	PC
Weight per piece (not including packaging)	11.59 g
Weight per piece (including packaging)	11.76 g
Unit of weight	G
Customs number	85369010
Country of origin	DE
Prio-Article	27087.6
Product description	Transformer-fused terminal

### Technical data

#### Dimensions

Length	32.5 mm
Width	12.5 mm
Height	43.9 mm

#### Ratings

Rated voltage	250 V
Rated current	10 A
Rated cross-section	4 mm <sup>2</sup>
Rated impulse voltage	6 kV
Overvoltage category	III
Contamination degree	3

#### Connection data

Connection principle	Push-in connection
Connection position	Top
Connections	1
Wire cross-section single-core (rigid) / stranded, min.	0.5 mm <sup>2</sup>
Wire cross-section single core (rigid)/stranded, max.	6 mm <sup>2</sup>
Wire cross-section stranded, min.	0.5 mm <sup>2</sup>
Wire cross-section stranded, max.	4 mm <sup>2</sup>
Wire cross-section stranded with wire-end ferrules, min.	0.5 mm <sup>2</sup>
Wire cross-section stranded with wire-end ferrules, max.	4 mm <sup>2</sup>
Wire cross-section AWG, min.	20
Wire cross-section AWG, max.	10
Stripping length	12 mm

#### Materials

Insulation housing	Polyamide 6.6
Flammability class UL 94	V-0
Working temperature, min.	-40 °C
Working temperature, max.	120 °C

---

### Technical data

---

#### Further technical data

---

Mounting type	Custom profile
Fuse size	5 x 20 mm
Gauge plug acc. to EN 60 947-1	A4
Number of cross-connection channels	1

---

### Approvals

#### cUL Recognized

cUL approval	C22.2 No 158
cUL Usegroup B: rated voltage	300 V
cUL Usegroup B: rated current	10 A
cUL Usegroup C: rated voltage	300 V
cUL Usegroup C: rated current	10 A
cUL wire cross-section single-core (rigid) AWG, min.	20
cUL wire cross-section single-core (rigid) AWG, max.	10
cUL wire cross-section stranded AWG, min.	20
cUL wire cross-section stranded AWG, max.	10
cUL wire material	Cu
cUL Recognized applied for	1

#### KEMA KEUR approval

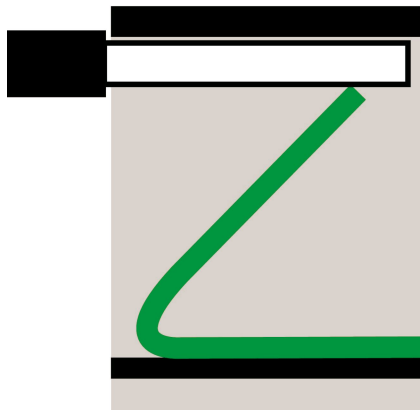
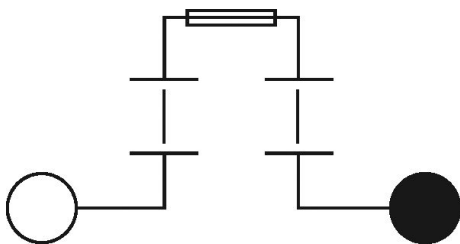
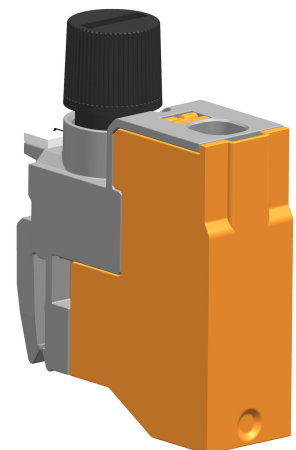
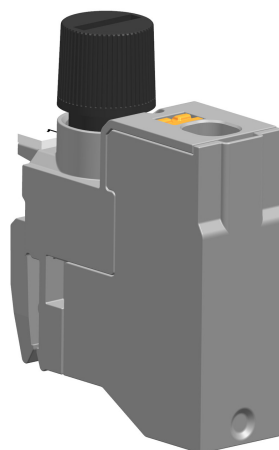
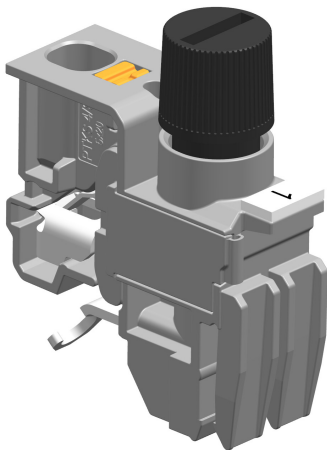
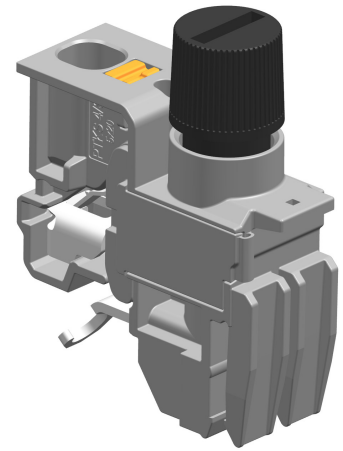
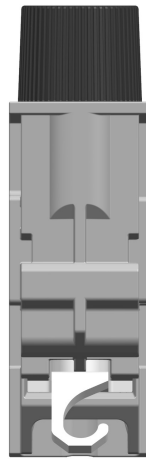
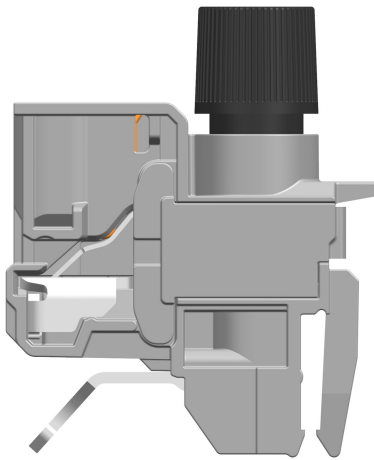
KEMA KEUR approval	EN 60947-7-3:2009
KEMA KEUR approval applied for	yes
KEMA rated voltage	250 V
KEMA rated current	10 A
KEMA rated impulse voltage	6 kV
KEMA wire cross-section single core (rigid), min.	0.5 mm <sup>2</sup>
KEMA wire cross-section single-core (rigid), max.	6 mm <sup>2</sup>
KEMA wire cross-section stranded, min.	0.5 mm <sup>2</sup>
KEMA wire cross-section stranded, max.	4 mm <sup>2</sup>
KEMA wire cross-section stranded with wire-end ferrules, min.	0.5 mm <sup>2</sup>
KEMA wire cross-section stranded with wire-end ferrules, max.	4 mm <sup>2</sup>
KEMA fuse size	5 x 20 mm

### Approvals

#### UL Recognized

UL approval	UL 1059
UL Usegroup B: rated voltage	300 V
UL Usegroup B: rated current	10 A
UL Usegroup C: rated voltage	300 V
UL Usegroup C: rated current	10 A
UL wire cross-section single-core (rigid) AWG, min.	20
UL wire cross-section single-core (rigid) AWG, max.	10
UL wire cross-section stranded AWG, min.	20
UL wire cross-section stranded AWG, max.	10
UL wire material	Cu
UL factory wiring	1
UL field wiring	1
UL Recognized applied for	1

### Media



### Accessories

#### Markers



Terminal marker / Maxicard, Length: 5 mm, Width: 7.5 mm, Colour: White

Article number	Article name	GTIN (EAN)	Packaging unit
<u>3326.7</u>	MC SB 7,5/160 WH	4044211128838	800



Terminal marker / Maxicard, Length: 5 mm, Width: 7.5 mm, Colour: White

Article number	Article name	GTIN (EAN)	Packaging unit
<u>9327.7</u>	MC SB 7,5/160 So WH	4044211169220	800



Terminal marker / Maxicard, Length: 5 mm, Width: 7.5 mm, Colour: White

Article number	Article name	GTIN (EAN)	Packaging unit
<u>9327.7</u>	MC SB 7,5/160 So WH	4044211169220	800



Terminal marker / Pocket Maxicard, Length: 5 mm, Width: 7.5 mm, Colour: White

Article number	Article name	GTIN (EAN)	Packaging unit
<u>3327.7</u>	PMC SB 7,5/40 So WH	4044211128845	400 ST

#### Protective hood



Cover hood for transformer terminal, Material: PA6.6, Colour: Orange

Article number	Article name	GTIN (EAN)	Packaging unit
<u>27089.3</u>	PTKS-ADH 4/SI 5x20 OG	4044211242886	50