

Touch protection, Length: 41.3 mm, Width: 18.3 mm, Colour: Light grey

RAL: 9018

Business data

Article number	<u>27214.0</u>
Article name	BS-SVBKA 95 LG
GTIN (EAN)	4044211218614
Packaging unit	10
Quantity unit	PC
Weight per piece (not including packaging)	1.16 g
Weight per piece (including packaging)	2.16 g
Unit of weight	G
Customs number	85369010
Country of origin	EU
Product description	Cover
Colour	Light grey

Technical data

Dimensions

Length	41.3 mm
--------	---------

Width	18.3 mm
-------	---------

Materials

Material	Polyamide 6.6
----------	---------------

Flammability class UL 94	V-0
--------------------------	-----

Working temperature, min.	-40 °C
---------------------------	--------

Working temperature, max.	120 °C
---------------------------	--------

Further technical data

Degree of protection	IP20
----------------------	------

Environmental Product Compliance

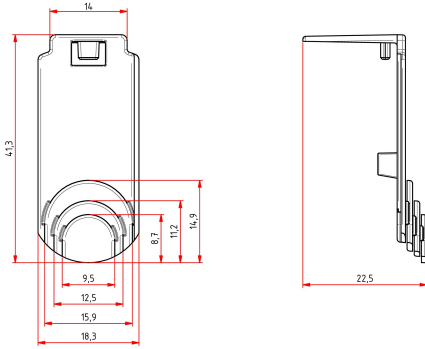
REACH Conform	yes
---------------	-----

REACH Reference date	2024-01-23
----------------------	------------

REACH Candidate Substance Note	No
--------------------------------	----

RoHS Conform	yes
--------------	-----

Media



Accessories

##INVERSE##CONTA-CONNECT



Screw-distributor block, Screw connection, Mounting type: Mounting rail TS 35/7.5 and mounting surface, Rated cross-section of input: 95 mm², Rated cross-section of output: 95 mm², Colour: Light grey

Article number	Article name	GTIN (EAN)	Packaging unit
<u>27210.0</u>	SVBKA 95 LG	4044211218515	10
