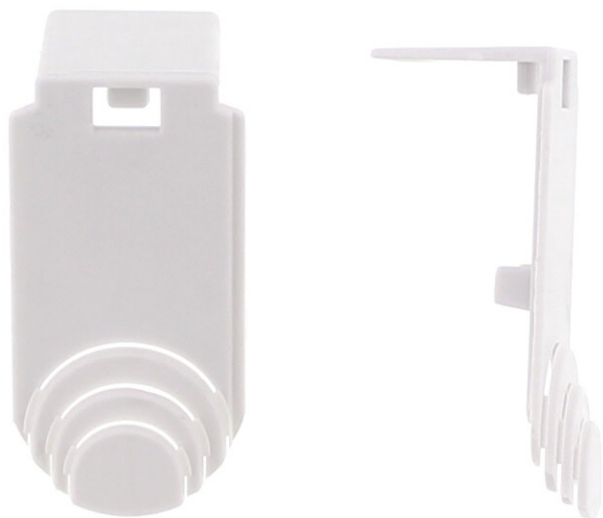


## 27216.0 BS-SVBKA 240 LG

---



Touch protection, Length: 54.4 mm, Width: 28 mm, Colour: Light grey

**RAL:** 9018

### Business data

---

Article number	<u>27216.0</u>
Article name	BS-SVBKA 240 LG
GTIN (EAN)	4044211218638
Packaging unit	10
Quantity unit	PC
Weight per piece (not including packaging)	30 g
Weight per piece (including packaging)	35 g
Unit of weight	G
Customs number	85369010
Country of origin	EU
Product description	Cover
Colour	Light grey

## 27216.0 BS-SVBKA 240 LG

---

### Technical data

---

#### Dimensions

Length	54.4 mm
--------	---------

Width	28 mm
-------	-------

#### Materials

Material	Polyamide 6.6
----------	---------------

Flammability class UL 94	V-0
--------------------------	-----

Working temperature, min.	-40 °C
---------------------------	--------

Working temperature, max.	120 °C
---------------------------	--------

#### Further technical data

Degree of protection	IP20
----------------------	------

#### Environmental Product Compliance

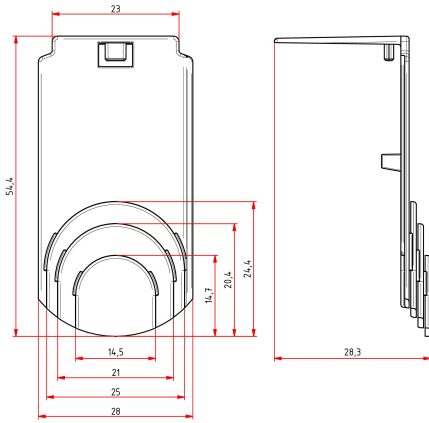
REACH Conform	yes
---------------	-----

REACH Reference date	2024-01-23
----------------------	------------

REACH Candidate Substance Note	No
--------------------------------	----

RoHS Conform	yes
--------------	-----

### Media



## 27216.0 BS-SVBKA 240 LG

### Accessories

#### ##INVERSE##CONTA-CONNECT



Screw-distributor block, Screw connection, Mounting type:Mounting rail TS 35/7.5 and mounting surface, Rated cross-section of input: 240 mm<sup>2</sup>, Rated cross-section of output: 240 mm<sup>2</sup>, Colour: Light grey

Article number	Article name	GTIN (EAN)	Packaging unit
<u>27212.0</u>	SVBKA 240 LG	4044211218577	3