



Round cable entry M50 with membrane for unassembled cables, Mounting type: Snap-in, Length: 60 mm, Width: 60 mm, IP54, Colour: Grey

RAL: Ähnlich 7035

Business data

Article number	28859.6
Article name	KES-E-R 50/9 B GR
GTIN (EAN)	4044211235079
Packaging unit	10
Quantity unit	PC
Weight per piece (not including packaging)	16.7 g
Weight per piece (including packaging)	16.8 g
Unit of weight	G
Customs number	39259020
Country of origin	DE
Product description	Cable Entry
Colour	Grey

Technical data

Dimensions

Length	57.96 mm
Length of wall cutout	50 mm
Width	57.96 mm
Width of wall cutout	50 mm
Height	12 mm
Installation height	5 mm

Materials

Material	TPE
Flammability class UL 94	V-0
Working temperature, min.	-40 °C
Working temperature, max.	90 °C
Sealing material	TPE
Halogen-free	✓
Silicone-free	✓

Further technical data

Mounting type	Snap-on
Degree of protection	IP54
Sheet thickness min.	2.5 mm
Sheet thickness max.	4 mm
NEMA Type	1, 12, 4x (indoor use only)
Number of wires	9
Number of cables for cable diameters 1.0 - 7.0 mm	5
Number of cables for cable diameters 1.0 - 7.2 mm	7
Number of cables for cable diameters 1.0 - 18.0 mm	4

Environmental Product Compliance

REACH Conform	yes
REACH Reference date	2024-01-23
REACH Candidate Substance Note	No
RoHS Conform	yes

Approvals

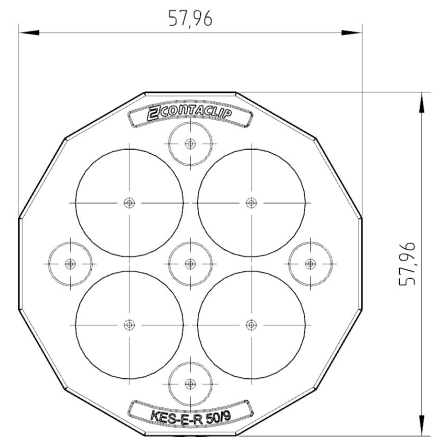
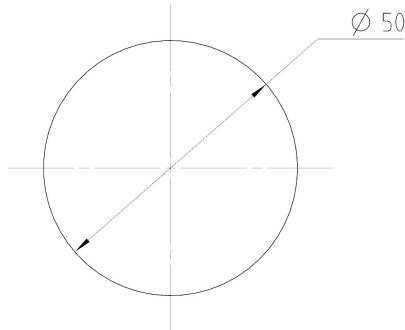
cUL Recognized

cUL approval	C22.2 No. 14-18
cUL File Number	E489821
cUL Recognized	1

UL Recognized

UL approval	UL 508A
UL File Number	E489821
UL Recognized	1
UL Type Rating	1, 12, 4x (indoor use only)

Media



28859.6 KES-E-R 50/9 B GR

Accessories

Sheet-metal puncher

Sheet metal punch for round cutouts, Cutout diameter: 50.5 mm, Maximum wall thickness: 2.0 mm for S 235 sheet metal, Material: steel

Article number	Article name	GTIN (EAN)	Packaging unit
<u>28750.0</u>	BL KDS-KV M50	4044211222031	1 ST

-

Article number	Article name	GTIN (EAN)	Packaging unit
<u>28758.0</u>	BL-VA KDS-KV M50	4044211234485	1 ST