

Two component seal with strain relief, Mounting type: Plug in, Length x width: 20.3 mm, Max. cable diameter: 6,2 mm, IP 66, Colour: Gray

RAL: 7032

Business data

Article number	<u>28982.6</u>
Article name	KDS-DE-Z2K 4,8-6,2 GR
GTIN (EAN)	4044211247478
Packaging unit	10
Quantity unit	PC
Weight per piece (not including packaging)	6.8 g
Weight per piece (including packaging)	7 g
Unit of weight	G
Customs number	39259020
Country of origin	DE
Product description	Sealing Element
Colour	Grey

Technical data

Weitere Technische Daten

Cable diameter, max.	6.2 mm
Cable diameter, min.	4.8 mm
Degree of protection	IP66
Mounting type	Plug in
Number of wires	1
Retention capacity in Newton	10 N
Strain relief	1
Strain relief in Newton	30 N

Dimensions

Length	20.3 mm
Width	20.3 mm
Height	25 mm

Materials

Material	TPE / PA 6.6 GF
Flammability class UL 94	V-0
Working temperature, min.	-40 °C
Working temperature, max.	90 °C
Halogen-free	✓
Silicone-free	✓
UV-resistant	✓

Environmental Product Compliance

REACH Conform	yes
REACH Reference date	2024-01-23
REACH Candidate Substance Note	No
RoHS Conform	yes

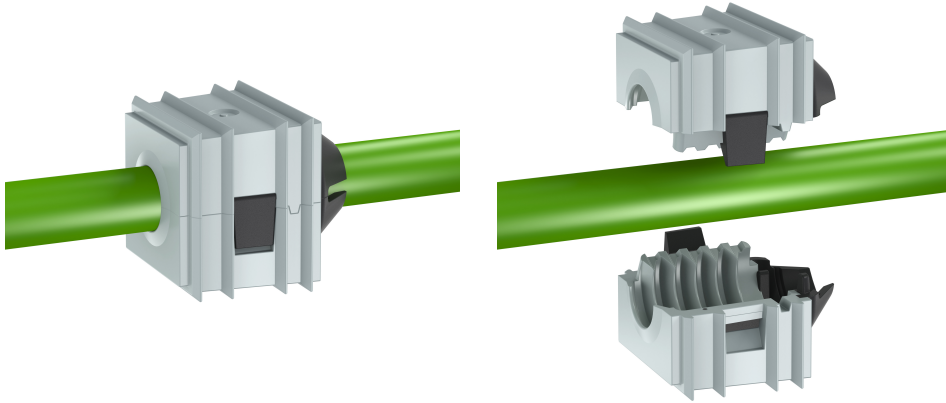
Approvals

Standards and regulations

Standards / specifications

EN 62444:2015-05

Media



Accessories
