



Polycarbonate housing without metric knock-outs, Colour: Light grey, RAL: 7035, Cover: Polycarbonate, Light grey

RAL: 7035

Business data

Article number	<u>31032.2</u>
Article name	CG-PC 88/55 OV
GTIN (EAN)	4044211203184
Packaging unit	48
Quantity unit	PC
Weight per piece (not including packaging)	142.2 g
Weight per piece (including packaging)	142.2 g
Unit of weight	G
Customs number	39269097
Country of origin	DE
Product description	Polycarbonate housing
Colour	Light grey

Technical data

Dimensions

Length	84 mm
Width	82 mm
Height	55 mm

Materials

Material	Polycarbonate
Lid material	Polycarbonate
Lid colour	Light grey
Lid screws	Stainless steel V2A
Flammability class UL 94	V-2
Flammability acc. EN 60695	960 °C
Working temperature, min.	-35 °C
Working temperature, max.	80 °C
Sealing material	Polyurethane
Ambient temperature 24 hours	60 °C
Rel. humidity at 40 °C, max.	50 %
Short-term rel. humidity at 25 °C, max.	95 %
Halogen-free	✓
PVC-free	✓
No heavy metals	✓
Silicone-free	✓
Weather resistant	✓

Further technical data

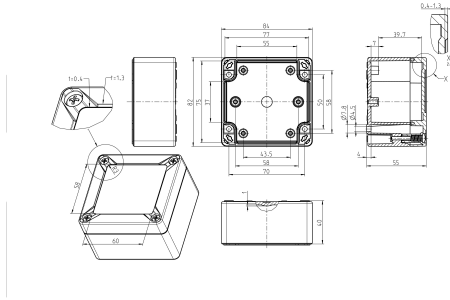
Degree of protection	IP67
Protection class	II
Impact resistance	IK08
Rated insulation voltage AC	1000 V
Rated insulation voltage DC	690 V
Quick release	✓
Lid retainer	✓

Technical data

Environmental Product Compliance

REACH Conform	yes
REACH Reference date	2024-01-23
REACH Candidate Substance Note	No
RoHS Conform	yes

Media



Accessories

Outer joints



Outer joints, Colour: Grey

Article number	Article name	GTIN (EAN)	Packaging unit
<u>4512.2</u>	AG/CK 77-CK 1809	4044211064235	2 ST

Mounting plate



Mounting plate, Material: Hard laminated paper, Surface: Melamine laminated, Colour: Grey, RAL: 7035

Article number	Article name	GTIN (EAN)	Packaging unit
<u>31070.2</u>	MP/CG 88	4044211203528	1 ST

Wall brackets



Wall brackets, Material: Polycarbonate, Colour: Grey

Article number	Article name	GTIN (EAN)	Packaging unit
<u>31079.2</u>	WL/CG	4044211203511	1 ST