



Mounting plate, Material: Hard laminated paper, Surface: Melamine laminated, Colour: Grey, RAL: 7035

**RAL:** 7035

### Business data

Article number	<u>31074.2</u>
Article name	MP/CG 1612
GTIN (EAN)	4044211203566
Packaging unit	1
Quantity unit	PC
Weight per piece (not including packaging)	51.5 g
Weight per piece (including packaging)	51.5 g
Unit of weight	G
Customs number	85472000
Country of origin	DE
Product description	Mounting plate
Colour	Grey

---

### Technical data

---

#### Dimensions

Length	131 mm
Width	113 mm
Height	2.5 mm

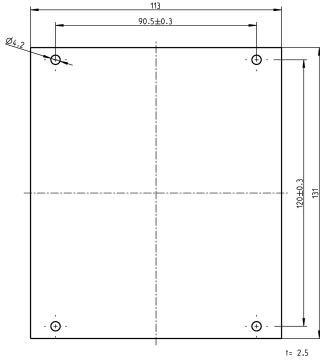
#### Materials

Material	Hard laminated paper
Surface	Melamine laminated

#### Environmental Product Compliance

REACH Conform	yes
REACH Reference date	2024-01-23
REACH Candidate Substance Note	No
RoHS Conform	yes

### Media



### Accessories

#### Housing



ABS housing without metric knock-outs, Colour: Light grey, RAL: 7035, Cover: Polycarbonate, Transparent

Article number	Article name	GTIN (EAN)	Packaging unit
<u>31017.3</u>	CG 1612/90 OVT	4044211188870	16 ST



ABS housing without metric knock-outs, Colour: Light grey, RAL: 7035, Cover: ABS, Light grey

Article number	Article name	GTIN (EAN)	Packaging unit
<u>31016.3</u>	CG 1612/90 OV	4044211188719	16 ST

#### ##INVERSE##CONTA-BOX



ABS housing without metric knock-outs, Colour: Light grey, RAL: 7035, Cover: Polycarbonate, Transparent

Article number	Article name	GTIN (EAN)	Packaging unit
<u>31017.3</u>	CG 1612/90 OVT	4044211188870	16 ST



Polycarbonate housing without metric knock-outs, Colour: Light grey, RAL: 7035, Cover: Polycarbonate, Light grey

Article number	Article name	GTIN (EAN)	Packaging unit
<u>31048.2</u>	CG-PC 1612/90 OV	4044211203221	16 ST



Polycarbonate housing without metric knock-outs, Colour: Light grey, RAL: 7035, Cover: Polycarbonate, Light grey

Article number	Article name	GTIN (EAN)	Packaging unit
<u>31048.2</u>	CG-PC 1612/90 OV	4044211203221	16 ST

## 31074.2 MP/CG 1612

##INVERSE##CONTA-BOX



Polycarbonate housing without metric knock-outs, Colour: Light grey, RAL: 7035, Cover: Polycarbonate, Light grey

Article number	Article name	GTIN (EAN)	Packaging unit
<u>31048.2</u>	CG-PC 1612/90 OV	4044211203221	16 ST