



Mounting plate, Material: Hard laminated paper, Surface: Melamine laminated, Colour: Grey, RAL: 7035

**RAL:** 7035

### Business data

Article number	<u>31078.2</u>
Article name	MP/CG 3023
GTIN (EAN)	4044211203603
Packaging unit	1
Quantity unit	PC
Weight per piece (not including packaging)	210.6 g
Weight per piece (including packaging)	210.6 g
Unit of weight	G
Customs number	85472000
Country of origin	DE
Product description	Mounting plate
Colour	Grey

---

### Technical data

---

#### Dimensions

Length	2.5 mm
Width	270 mm
Height	222 mm

#### Materials

Material	Hard laminated paper
Surface	Melamine laminated

#### Environmental Product Compliance

REACH Conform	yes
REACH Reference date	2024-01-23
REACH Candidate Substance Note	No
RoHS Conform	yes

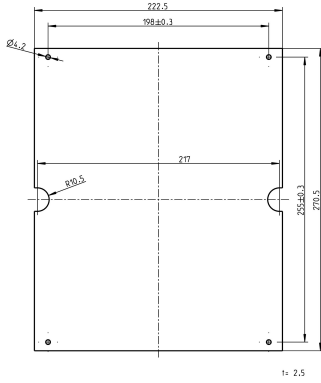
# Data sheet

## 31078.2 MP/CG 3023

---

### Media

---



### Accessories

#### Housing



ABS housing without metric knock-outs, Colour: Light grey, RAL: 7035, Cover: ABS, Light grey

Article number	Article name	GTIN (EAN)	Packaging unit
<u>31030.3</u>	CG 3023/110 OV	4044211188825	4 ST



ABS housing without metric knock-outs, Colour: Light grey, RAL: 7035, Cover: ABS, Light grey

Article number	Article name	GTIN (EAN)	Packaging unit
<u>31028.3</u>	CG 3023/90 OV	4044211188757	4 ST



ABS housing without metric knock-outs, Colour: Light grey, RAL: 7035, Cover: Polycarbonate, Transparent

Article number	Article name	GTIN (EAN)	Packaging unit
<u>31031.3</u>	CG 3023/110 OVT	4044211203177	4 ST



ABS housing without metric knock-outs, Colour: Light grey, RAL: 7035, Cover: Polycarbonate, Transparent

Article number	Article name	GTIN (EAN)	Packaging unit
<u>31029.3</u>	CG 3023/90 OVT	4044211188917	4 ST

#### ##INVERSE##CONTA-BOX



ABS housing without metric knock-outs, Colour: Light grey, RAL: 7035, Cover: ABS, Light grey

Article number	Article name	GTIN (EAN)	Packaging unit
<u>31030.3</u>	CG 3023/110 OV	4044211188825	4 ST

### ##INVERSE##CONTA-BOX



ABS housing without metric knock-outs, Colour: Light grey, RAL: 7035, Cover: Polycarbonate, Transparent

Article number	Article name	GTIN (EAN)	Packaging unit
<u>31029.3</u>	CG 3023/90 OVT	4044211188917	4 ST



ABS housing without metric knock-outs, Colour: Light grey, RAL: 7035, Cover: Polycarbonate, Transparent

Article number	Article name	GTIN (EAN)	Packaging unit
<u>31031.3</u>	CG 3023/110 OVT	4044211203177	4 ST



ABS housing without metric knock-outs, Colour: Light grey, RAL: 7035, Cover: Polycarbonate, Transparent

Article number	Article name	GTIN (EAN)	Packaging unit
<u>31029.3</u>	CG 3023/90 OVT	4044211188917	4 ST