

Feed-through terminal, Push-in connection, Mounting type: Mounting rail TS 35/7.5, Colour: Beige

Business data

Article number	<u>3294.2</u>
Article name	FRK 16/2A BG
GTIN (EAN)	4044211199838
Packaging unit	50
Quantity unit	PC
Weight per piece (not including packaging)	34.76 g
Weight per piece (including packaging)	35 g
Unit of weight	G
Customs number	85369010
Country of origin	CZ
Prio-Article	3294.2
Product description	Feed-through terminal

Technical data

Dimensions

Length	72.4 mm
Width	12.1 mm
Height	48 mm
Height TS 35/7.5	49 mm

Ratings

Rated voltage	1000 V
Rated current	76 A
Rated cross-section	16 mm ²
Rated impulse voltage	8 kV
Overvoltage category	III
Contamination degree	3
Maximum power dissipation for nominal condition	2.43 W

Connection data

Connection principle	Push-in connection
Connection position	Top
Connections	2
Number of terminals per level	2
Number of levels	1
Wire cross-section single-core (rigid) / stranded, min.	2.5 mm ²
Wire cross-section single core (rigid)/stranded, max.	25 mm ²
Wire cross-section stranded, min.	2.5 mm ²
Wire cross-section stranded, max.	25 mm ²
Wire cross-section stranded with wire-end ferrules, min.	2.5 mm ²
Wire cross-section stranded with wire-end ferrules, max.	16 mm ²
Wire cross-section AWG, min.	14
Wire cross-section AWG, max.	4
Stripping length	18 mm

Materials

Insulation housing	Polyamide 6.6
Flammability class UL 94	V-0
Working temperature, min.	-40 °C
Working temperature, max.	120 °C

Technical data

Further technical data

Mounting type	Mounting rail TS 35/7,5
Gauge plug acc. to EN 60 947-1	A7
Number of cross-connection channels	2
End plate required	✓

Environmental Product Compliance

REACH Conform	yes
REACH Reference date	2023-06-14, 2024-01-23
REACH Candidate Substance Note	No
RoHS Conform	yes

Approvals

Standards and regulations

EAC approval	TR ZU 004/2011
--------------	----------------

EAC approval granted	yes
----------------------	-----

cUL Recognized

cUL approval	C22.2 No 158
--------------	--------------

cUL Usegroup B: rated voltage	600 V
-------------------------------	-------

cUL Usegroup B: rated current	75 A
-------------------------------	------

cUL Usegroup C: rated voltage	600 V
-------------------------------	-------

cUL Usegroup C: rated current	75 A
-------------------------------	------

cUL Usegroup D: rated voltage	600 V
-------------------------------	-------

cUL Usegroup D: rated current	75 A
-------------------------------	------

cUL wire cross-section single-core (rigid) AWG, min.	14
--	----

cUL wire cross-section single-core (rigid) AWG, max.	4
--	---

cUL wire cross-section stranded AWG, min.	14
---	----

cUL wire cross-section stranded AWG, max.	4
---	---

cUL wire material	Cu
-------------------	----

cUL Recognized	1
----------------	---

KEMA KEUR approval

KEMA KEUR approval	EN 60947-7-1:2009
--------------------	-------------------

KEMA KEUR approval applied for	yes
--------------------------------	-----

KEMA rated voltage	1000 V
--------------------	--------

KEMA rated current	90 A
--------------------	------

KEMA rated impulse voltage	8 kV
----------------------------	------

KEMA wire cross-section single core (rigid), min.	2.5 mm ²
---	---------------------

KEMA wire cross-section single-core (rigid), max.	25 mm ²
---	--------------------

KEMA wire cross-section stranded, min.	2.5 mm ²
--	---------------------

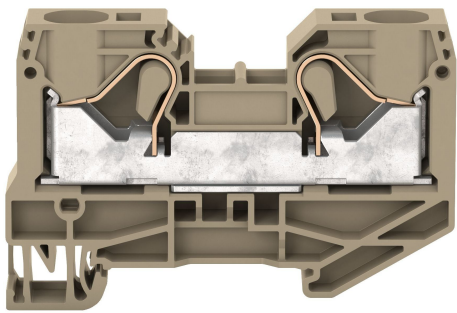
KEMA wire cross-section stranded, max.	25 mm ²
--	--------------------

Approvals

UL Recognized

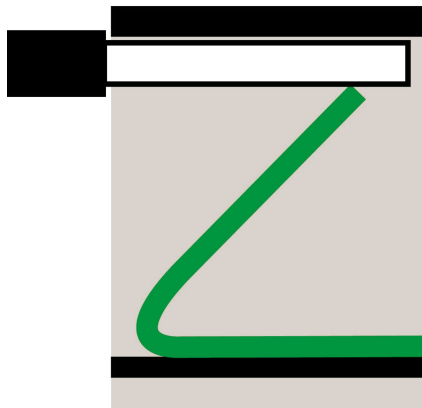
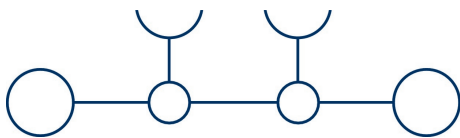
UL approval	UL 1059
UL Usegroup B: rated voltage	600 V
UL Usegroup B: rated current	75 A
UL Usegroup C: rated voltage	600 V
UL Usegroup C: rated current	75 A
UL Usegroup D: rated voltage	600 V
UL Usegroup D: rated current	75 A
UL wire cross-section single-core (rigid) AWG, min.	14
UL wire cross-section single-core (rigid) AWG, max.	4
UL wire cross-section stranded AWG, min.	4
UL wire cross-section stranded AWG, max.	14
UL wire material	Cu
UL factory wiring	1
UL field wiring	1
UL Recognized	1

Media



EAC

C  [®] US



Accessories

End plate



End plate, Colour: Beige

Article number	Article name	GTIN (EAN)	Packaging unit
<u>17420.2</u>	FAP 16/2A BG	4044211199883	20

End stop



End stop, Mounting type: Mounting rail TS 35/7.5 and TS 35/15, Width: 5 mm, Colour: Beige

Article number	Article name	GTIN (EAN)	Packaging unit
<u>3811.2</u>	ZES 35/2 BG	4044211080600	50

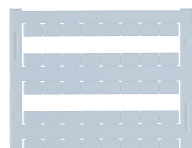
Insulated cross-connector



Insulated cross-connector, No. of poles: 2, Mounting type: Plug in, Width: 20 mm, Rated cross-section: 16 mm², Colour: Yellow

Article number	Article name	GTIN (EAN)	Packaging unit
<u>17247.8</u>	SQI 16/2 YE	4044211181116	20 ST

Quick marking



Terminal marker / Pocket Maxicard, Length: 5 mm, Width: 8 mm, Colour: White

Article number	Article name	GTIN (EAN)	Packaging unit
<u>9323.7</u>	PMC SB 8/40 WH	4044211129231	400 ST

Screwdriver

Screwdriver with bare blade, Colour: Black-grey



Article number	Article name	GTIN (EAN)	Packaging unit
<u>1087.0</u>	SDB 0,8x4,0	4044211014803	1 ST