



Aluminium housing, Surface: Powder-varnish coating, Colour: Silver-grey, RAL: 7001

**RAL:** 7001

### Business data

Article number	<u>4001.0</u>
Article name	CA 58/34
GTIN (EAN)	4044211061340
Packaging unit	1
Quantity unit	PC
Weight per piece (not including packaging)	140.9 g
Weight per piece (including packaging)	142.8 g
Unit of weight	G
Customs number	85369095
Country of origin	DE
Product description	Aluminium housing
Colour	Silver-grey

### Technical data

#### Dimensions

Length	58 mm
Width	64 mm
Height	34 mm

#### Materials

Material	Aluminium alloy
Lid screws	Stainless steel
Surface	Powder-varnish coating
Working temperature, min.	-40 °C
Working temperature, max.	90 °C
Sealing material	Polyurethane
Cadmium-free	✓
Halogen-free	✓

#### Further technical data

Degree of protection	IP66
Impact resistance	IK08
Lower part with earthing screws	✓
Can be lead-sealed	✓

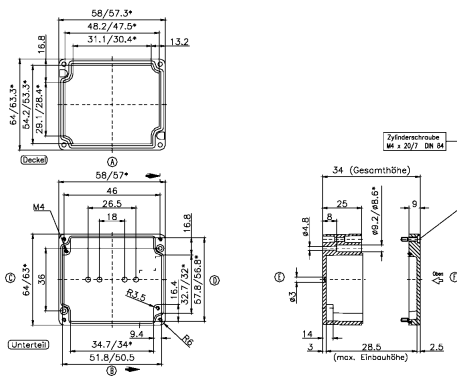
#### Environmental Product Compliance

REACH Conform	yes
REACH Reference date	2024-01-23
REACH Candidate Substance Note	No
RoHS Conform	yes

# Data sheet

## 4001.0 CA 58/34

### Media



---

**Accessories**

---