



Aluminium housing, Surface: Powder-varnish coating, Colour: Silver-grey, RAL: 7001

RAL: 7001

Business data

Article number	<u>4002.0</u>
Article name	CA 98/34
GTIN (EAN)	4044211061357
Packaging unit	1
Quantity unit	PC
Weight per piece (not including packaging)	201.6 g
Weight per piece (including packaging)	211.58 g
Unit of weight	G
Customs number	85369095
Country of origin	DE
Product description	Aluminium housing
Colour	Silver-grey

Technical data

Dimensions

Length	98 mm
Width	64 mm
Height	34 mm

Materials

Material	Aluminium alloy
Lid screws	Stainless steel
Surface	Powder-varnish coating
Working temperature, min.	-40 °C
Working temperature, max.	90 °C
Sealing material	Polyurethane
Cadmium-free	✓
Halogen-free	✓

Further technical data

Degree of protection	IP66
Impact resistance	IK08
Lower part with earthing screws	✓
Can be lead-sealed	✓

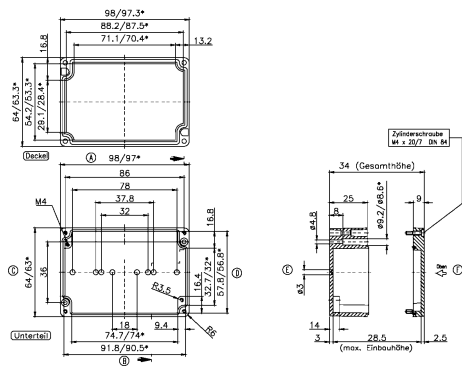
Environmental Product Compliance

REACH Conform	yes
REACH Reference date	2024-01-23
REACH Candidate Substance Note	No
RoHS Conform	yes

Data sheet

4002.0 CA 98/34

Media



Accessories

Mounting screw



Mounting screw, M 4, Colour: natural

Article number	Article name	GTIN (EAN)	Packaging unit
<u>4557.0</u>	BS M 4x5	4044211065072	100 ST

DIN rail section TS 15/5.5



DIN rail, slotted, Width: 15 mm, Height: 5.5 mm, Material: Steel, Colour: natural

Article number	Article name	GTIN (EAN)	Packaging unit
<u>4559.2</u>	TS 15/87 mm lang	4044211065119	1 ST
