

# Data sheet

## 4012.0 CA 360/90



Aluminium housing, Surface: Powder-varnish coating, Colour: Silver-grey, RAL: 7001

**RAL:** 7001

### Business data

Article number	<u>4012.0</u>
Article name	CA 360/90
GTIN (EAN)	4044211061456
Packaging unit	1
Quantity unit	PC
Weight per piece (not including packaging)	2657.8 g
Weight per piece (including packaging)	2771.5 g
Unit of weight	G
Customs number	85369095
Country of origin	DE
Product description	Aluminium housing
Colour	Silver-grey

### Technical data

#### Dimensions

Length	360 mm
Width	160 mm
Height	91 mm

#### Materials

Material	Aluminium alloy
Lid screws	Stainless steel
Surface	Powder-varnish coating
Working temperature, min.	-40 °C
Working temperature, max.	90 °C
Sealing material	Polyurethane
Cadmium-free	✓
Halogen-free	✓

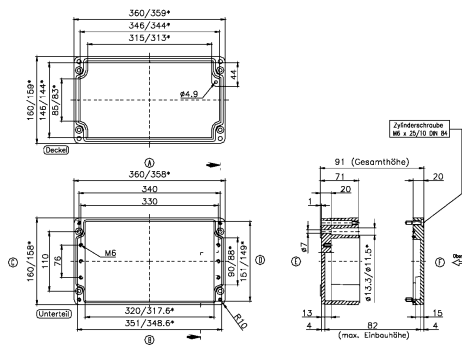
#### Further technical data

Degree of protection	IP66
Impact resistance	IK08
Lower part with earthing screws	✓
Can be lead-sealed	✓

#### Environmental Product Compliance

REACH Conform	yes
REACH Reference date	2024-01-23
REACH Candidate Substance Note	No
RoHS Conform	yes

### Media



### Accessories

#### Outer joints



Outer joints, Colour: Silver-grey

Article number	Article name	GTIN (EAN)	Packaging unit
<u>4509.6</u>	AG/CP/CA (Paar)	4044211063979	1 ST

#### Mounting screw



Mounting screw, M 6, Colour: natural

Article number	Article name	GTIN (EAN)	Packaging unit
<u>4558.0</u>	BS M 6x8	4044211065089	100 ST

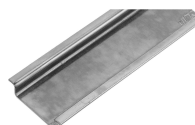
#### Mounting plate



Mounting plate, Material: Steel, Surface: Galvanized, Colour: natural

Article number	Article name	GTIN (EAN)	Packaging unit
<u>4502.3</u>	MP/A 360	4044211063559	1 ST

#### DIN rail section TS 35/7.5



DIN rail, slotted, Width: 35 mm, Height: 7.5 mm, Material: Steel, Colour: natural

Article number	Article name	GTIN (EAN)	Packaging unit
<u>4507.6</u>	TS 35/338 mm lang	4044211152604	1 ST

#### Wall brackets

# Data sheet

## 4012.0 CA 360/90



Wall brackets, Material: Steel, Surface: Galvanized, Colour: natural

Article number	Article name	GTIN (EAN)	Packaging unit
<u>4509.4</u>	WL/CP/CA lang	4044211063955	1 ST