

Data sheet

4019.0 CA 330/180



Aluminium housing, Surface: Powder-varnish coating, Colour: Silver-grey, RAL: 7001

RAL: 7001

Business data

Article number	<u>4019.0</u>
Article name	CA 330/180
GTIN (EAN)	4044211061524
Packaging unit	1
Quantity unit	PC
Weight per piece (not including packaging)	5290 g
Weight per piece (including packaging)	5466.4 g
Unit of weight	G
Customs number	85369095
Country of origin	DE
Product description	Aluminium housing
Colour	Silver-grey

Technical data

Dimensions

Length	330 mm
Width	230 mm
Height	180 mm

Materials

Material	Aluminium alloy
Lid screws	Stainless steel
Surface	Powder-varnish coating
Working temperature, min.	-40 °C
Working temperature, max.	90 °C
Sealing material	Polyurethane
Cadmium-free	✓
Halogen-free	✓

Further technical data

Degree of protection	IP66
Impact resistance	IK08
Lower part with earthing screws	✓
Can be lead-sealed	✓

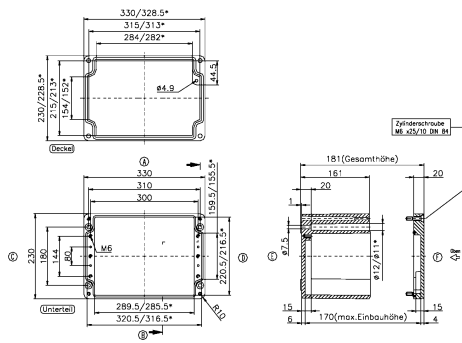
Environmental Product Compliance

REACH Conform	yes
REACH Reference date	2024-01-23
REACH Candidate Substance Note	No
RoHS Conform	yes

Data sheet

4019.0 CA 330/180

Media



Accessories

Outer joints



Outer joints, Colour: Silver-grey

Article number	Article name	GTIN (EAN)	Packaging unit
<u>4509.6</u>	AG/CP/CA (Paar)	4044211063979	1 ST

Mounting screw



Mounting screw, M 6, Colour: natural

Article number	Article name	GTIN (EAN)	Packaging unit
<u>4558.0</u>	BS M 6x8	4044211065089	100 ST

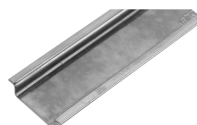
Mounting plate



Mounting plate, Material: Steel, Galvanized, Colour: natural

Article number	Article name	GTIN (EAN)	Packaging unit
<u>4512.8</u>	MP/A 3323	4044211064297	1 ST

DIN rail section TS 35/7.5



DIN rail, slotted, Width: 35 mm, Height: 7.5 mm, Material: Steel, Colour: natural

Article number	Article name	GTIN (EAN)	Packaging unit
<u>4560.3</u>	TS 35/314 mm lang	4044211152796	1 ST

Wall brackets



Wall brackets, Material: Steel, Surface: Galvanized, Colour: natural

Article number	Article name	GTIN (EAN)	Packaging unit
<u>4509.4</u>	WL/CP/CA lang	4044211063955	1 ST