

Data sheet

4020.1 CP 80/55



Glass-fibre reinforced polyester housing, Colour: Squirrel grey, RAL: 7000, Cover: Duro-plastic polyester, Squirrel grey (RAL 7000)

RAL: 7000

Business data

Article number	<u>4020.1</u>
Article name	CP 80/55
GTIN (EAN)	4044211061531
Packaging unit	1
Quantity unit	PC
Weight per piece (not including packaging)	262.4 g
Weight per piece (including packaging)	281.2 g
Unit of weight	G
Customs number	39269097
Country of origin	DE
Product description	Polyester housing
Colour	Squirrel grey (RAL 7000)

Technical data

Dimensions

Length	80 mm
Width	75 mm
Height	55 mm

Materials

Material	Duro-plastic polyester
Lid material	Duro-plastic polyester
Lid colour	Squirrel grey (RAL 7000)
Lid screws	Stainless steel V2A
Glass-fibre reinforced	✓
Flammability class UL 94	V-0
Working temperature, min.	-40 °C
Working temperature, max.	100 °C
Sealing material	Chloroprene
Halogen-free	✓

Further technical data

Degree of protection	IP66
Protection class	II
Impact resistance	IK08
Dielectric strength	18 kV/mm
Surface resistance	>10 ¹² Ohm
Lower part with earthing screws	✓

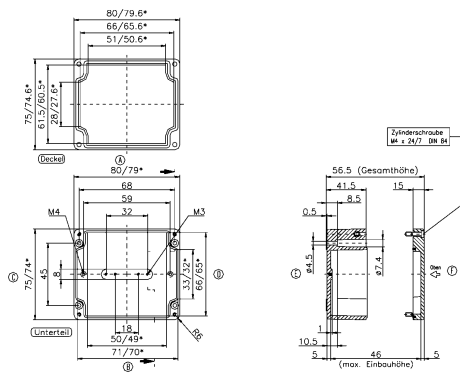
Environmental Product Compliance

REACH Conform	yes
REACH Reference date	2024-01-23
REACH Candidate Substance Note	No
RoHS Conform	yes

Data sheet

4020.1 CP 80/55

Media



Accessories

Mounting screw



Mounting screw, M 4, Colour: natural

Article number	Article name	GTIN (EAN)	Packaging unit
<u>4557.0</u>	BS M 4x5	4044211065072	100 ST

DIN rail section TS 15/5.5



DIN rail, slotted, Width: 15 mm, Height: 5.5 mm, Material: Steel, Colour: natural

Article number	Article name	GTIN (EAN)	Packaging unit
<u>4507.8</u>	TS 15/68 mm lang	4044211152628	1 ST

Wall brackets



Wall brackets, Material: Steel, Surface: Galvanized, Colour: natural

Article number	Article name	GTIN (EAN)	Packaging unit
<u>4509.3</u>	WL/CP/CA kurz	4044211063948	1 ST