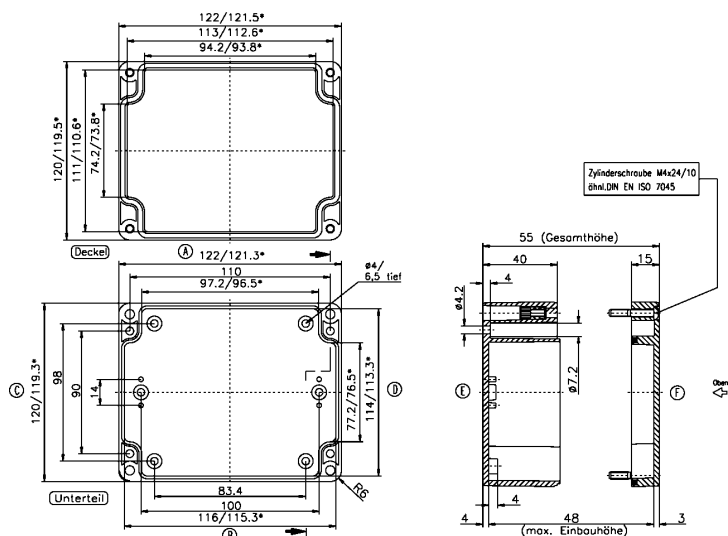


Data sheet

4067.2 CM 122/5 DT



Polycarbonate housing, Colour: Light grey, RAL: 7035, Cover: Polycarbonate, Transparent

RAL: 7035

Business data

Article number	4067.2
Article name	CM 122/5 DT
GTIN (EAN)	4044211061869
Packaging unit	1
Quantity unit	PC
Weight per piece (not including packaging)	268 g
Weight per piece (including packaging)	308 g
Unit of weight	G
Customs number	39269097
Country of origin	EU
Product description	Polycarbonate housing
Colour	Light grey

Technical data

Dimensions

Length	122 mm
Width	120 mm
Height	55 mm

Materials

Material	Polycarbonate
Lid material	Polycarbonate
Lid colour	Transparent
Lid screws	Stainless steel V2A
Flammability class UL 94	V-2
Working temperature, min.	-40 °C
Working temperature, max.	100 °C
Sealing material	Chloroprene
Cadmium-free	✓
Halogen-free	✓
Weather resistant	✓

Further technical data

Degree of protection	IP66
Protection class	II
Impact resistance	IK08
Self-tapping mounting screws for indoor installations	✓
Dielectric strength	30 kV/mm
Surface resistance	>10 ¹² Ohm

Environmental Product Compliance

REACH Conform	yes
REACH Reference date	2024-01-23
REACH Candidate Substance Note	No
RoHS Conform	yes

Media

Accessories

Outer joints

Outer joints, Colour: Light grey

Article number	Article name	GTIN (EAN)	Packaging unit
<u>4510.3</u>	AG/CT/CM (Paar)	4044211064044	1 ST

Mounting plate

Mounting plate, Material: Hard laminated paper, Colour: Brown

Article number	Article name	GTIN (EAN)	Packaging unit
<u>4505.4</u>	MP/M-T/122	4044211063825	1 ST

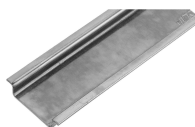
DIN rail section TS 15/5.5



DIN rail, slotted, Width: 15 mm, Height: 5.5 mm, Material: Steel, Colour: natural

Article number	Article name	GTIN (EAN)	Packaging unit
<u>4510.8</u>	TS 15/110 mm lang	4044211064099	1 ST

DIN rail section TS 35/7.5



DIN rail, slotted, Width: 35 mm, Height: 7.5 mm, Material: Steel, Colour: natural

Article number	Article name	GTIN (EAN)	Packaging unit
<u>4508.8</u>	TS 35/112 mm lang	4044211152727	1 ST

Wall brackets

Data sheet

4067.2 CM 122/5 DT



Wall brackets, Material: Polycarbonate, Colour: Grey

Article number	Article name	GTIN (EAN)	Packaging unit
<u>4510.2</u>	WL/CM/CT	4044211064037	1 ST