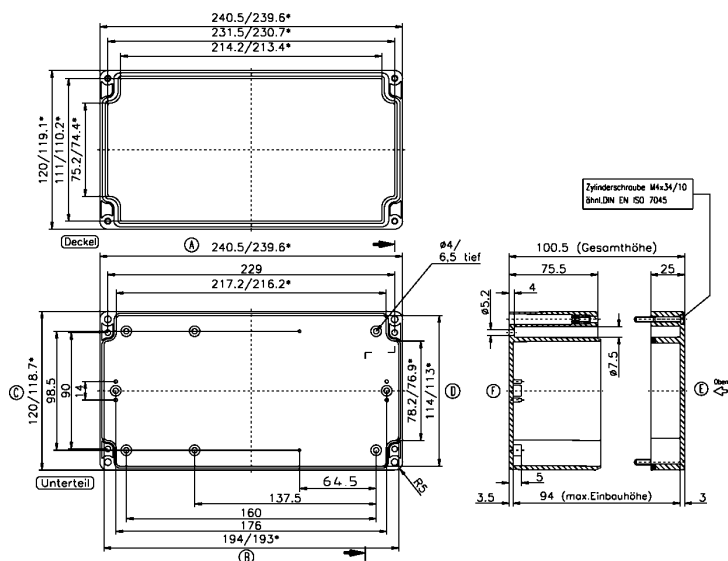


# Data sheet

## 4071.2 CM 240/DT



Polycarbonate housing, Colour: Light grey, RAL: 7035, Cover: Polycarbonate, Transparent

**RAL:** 7035

### Business data

Article number	4071.2
Article name	CM 240/DT
GTIN (EAN)	4044211061906
Packaging unit	1
Quantity unit	PC
Weight per piece (not including packaging)	616 g
Weight per piece (including packaging)	686 g
Unit of weight	G
Customs number	39269097
Country of origin	EU
Product description	Polycarbonate housing
Colour	Light grey

### Technical data

#### Dimensions

Length	240 mm
Width	120 mm
Height	100 mm

#### Materials

Material	Polycarbonate
Lid material	Polycarbonate
Lid colour	Transparent
Lid screws	Stainless steel V2A
Flammability class UL 94	V-2
Working temperature, min.	-40 °C
Working temperature, max.	100 °C
Sealing material	Chloroprene
Cadmium-free	✓
Halogen-free	✓
Weather resistant	✓

#### Further technical data

Degree of protection	IP66
Protection class	II
Impact resistance	IK08
Self-tapping mounting screws for indoor installations	✓
Dielectric strength	30 kV/mm
Surface resistance	>10 <sup>12</sup> Ohm

#### Environmental Product Compliance

REACH Conform	yes
REACH Reference date	2024-01-23
REACH Candidate Substance Note	No
RoHS Conform	yes

---

### Media

---

### Accessories

#### Outer joints

Outer joints, Colour: Light grey

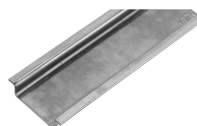
Article number	Article name	GTIN (EAN)	Packaging unit
<u>4510.3</u>	AG/CT/CM (Paar)	4044211064044	1 ST

#### Mounting plate

Mounting plate, Material: Hard laminated paper, Colour: Brown

Article number	Article name	GTIN (EAN)	Packaging unit
<u>4506.0</u>	MP/M-T/240	4044211063856	1 ST

#### DIN rail section TS 35/7.5



DIN rail, slotted, Width: 35 mm, Height: 7.5 mm, Material: Steel, Colour: natural

Article number	Article name	GTIN (EAN)	Packaging unit
<u>4509.1</u>	TS 35/230 mm lang	4044211152758	1 ST

#### Wall brackets

Wall brackets, Material: Polycarbonate, Colour: Grey

Article number	Article name	GTIN (EAN)	Packaging unit
<u>4510.2</u>	WL/CM/CT	4044211064037	1 ST