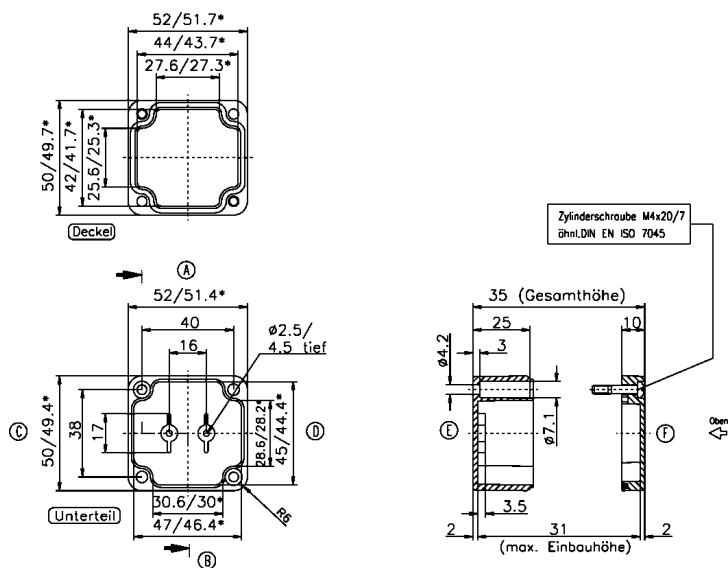


Data sheet

4080.3 CT 52



ABS housing, Colour: Light grey, RAL: 7035, Cover: ABS, Light grey

RAL: 9018

Business data

Article number	<u>4080.3</u>
Article name	CT 52
GTIN (EAN)	4044211061937
Packaging unit	1
Quantity unit	PC
Weight per piece (not including packaging)	41 g
Weight per piece (including packaging)	51 g
Unit of weight	G
Customs number	39269097
Country of origin	EU
Product description	ABS housing
Colour	Light grey

Technical data

Dimensions

Length	52 mm
Width	50 mm
Height	35 mm

Materials

Material	ABS
Lid material	ABS
Lid colour	Light grey
Lid screws	Stainless steel
Flammability class UL 94	HB
Working temperature, min.	-40 °C
Working temperature, max.	60 °C
Sealing material	Chloroprene
Cadmium-free	✓
Halogen-free	✓

Further technical data

Degree of protection	IP66
Protection class	II
Impact resistance	IK08
Self-tapping mounting screws for indoor installations	✓
Dielectric strength	24 kV/mm
Surface resistance	4x10 ¹⁴ Ohm

Environmental Product Compliance

REACH Conform	yes
REACH Reference date	2024-01-23
REACH Candidate Substance Note	No
RoHS Conform	yes

Media

Accessories

Outer joints

Outer joints, Colour: Light grey

Article number	Article name	GTIN (EAN)	Packaging unit
<u>4510.3</u>	AG/CT/CM (Paar)	4044211064044	1 ST

Mounting plate

Mounting plate, Material: Hard laminated paper, Colour: Brown

Article number	Article name	GTIN (EAN)	Packaging unit
<u>4504.6</u>	MP/M-T/52	4044211063788	1 ST

Wall brackets

Wall brackets, Material: Polycarbonate, Colour: Grey

Article number	Article name	GTIN (EAN)	Packaging unit
<u>4510.2</u>	WL/CM/CT	4044211064037	1 ST

##INVERSE##CONTA-BOX

Mounting plate, Material: Hard laminated paper, Colour: Brown

Article number	Article name	GTIN (EAN)	Packaging unit
<u>4504.6</u>	MP/M-T/52	4044211063788	1 ST
