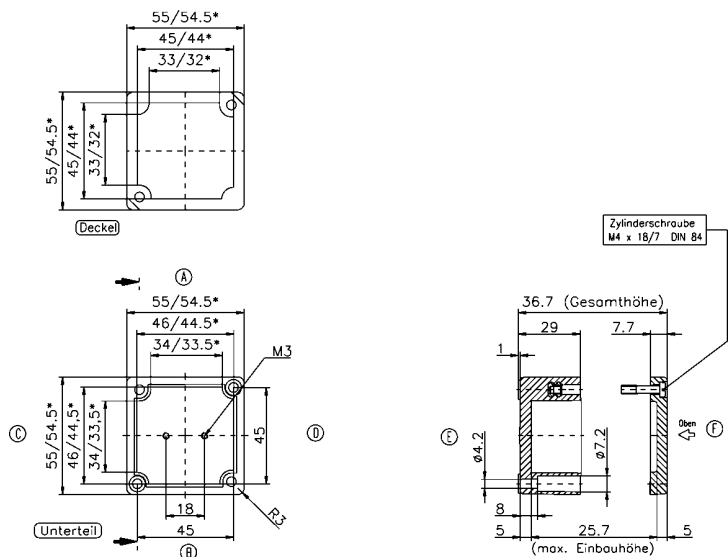


# Data sheet

## 4432.1 CP 55/37



Glass-fibre reinforced polyester housing, Colour: Squirrel grey, RAL: 7000, Cover: Duro-plastic polyester, Squirrel grey (RAL 7000)

**RAL: 7000**

### Business data

Article number	<u>4432.1</u>
Article name	CP 55/37
GTIN (EAN)	4044211114558
Packaging unit	1
Quantity unit	PC
Weight per piece (not including packaging)	100 g
Weight per piece (including packaging)	118 g
Unit of weight	G
Customs number	39269097
Country of origin	DE
Product description	Polyester housing
Colour	Squirrel grey (RAL 7000)

### Technical data

#### Dimensions

Length	55 mm
Width	55 mm
Height	37 mm

#### Materials

Material	Duro-plastic polyester
Lid material	Duro-plastic polyester
Lid colour	Squirrel grey (RAL 7000)
Lid screws	Stainless steel V2A
Glass-fibre reinforced	✓
Flammability class UL 94	V-0
Working temperature, min.	-40 °C
Working temperature, max.	100 °C
Sealing material	Chloroprene
Halogen-free	✓

#### Further technical data

Degree of protection	IP66
Protection class	II
Impact resistance	IK08
Dielectric strength	18 kV/mm
Surface resistance	>10 <sup>12</sup> Ohm
Lower part with earthing screws	✓

#### Environmental Product Compliance

REACH Conform	yes
REACH Reference date	2024-01-23
REACH Candidate Substance Note	No
RoHS Conform	yes

---

**Media**

---

---

### Accessories

---

#### Mounting screw

---



Mounting screw, M 3, Colour: natural

Article number	Article name	GTIN (EAN)	Packaging unit
<u>4556.0</u>	BS M 3x5	4044211065065	100 ST

---

#### DIN rail section TS 15/5.5

---



DIN rail, slotted, Width: 15 mm, Height: 5.5 mm, Material: Steel, Colour: natural

Article number	Article name	GTIN (EAN)	Packaging unit
<u>4567.0</u>	TS 15/42 mm lang	4044211152802	1 ST

---