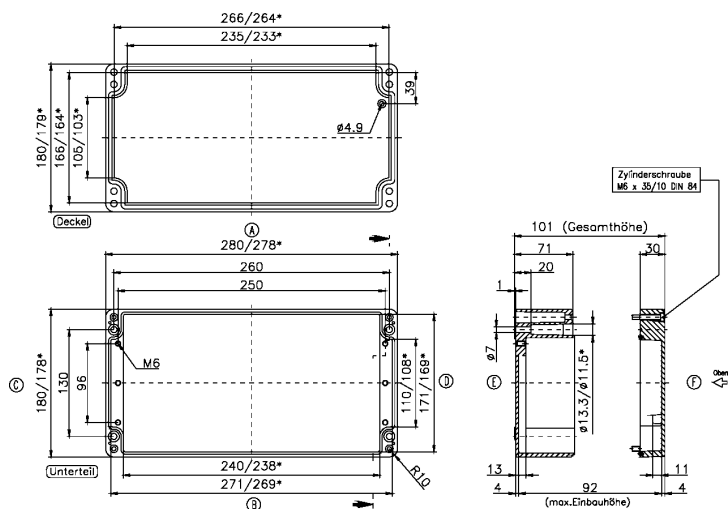


Data sheet

4438.0 CA 280/100



Aluminium housing, Surface: Powder-varnish coating, Colour: Silver-grey, RAL: 7001

RAL: 7001

Business data

Article number	4438.0
Article name	CA 280/100
GTIN (EAN)	4044211114619
Packaging unit	1
Quantity unit	PC
Weight per piece (not including packaging)	2467.5 g
Weight per piece (including packaging)	2583 g
Unit of weight	G
Customs number	85369095
Country of origin	IN
Product description	Aluminium housing
Colour	Silver-grey

Technical data

Dimensions

Length	280 mm
Width	180 mm
Height	100 mm

Materials

Material	Aluminium alloy
Lid screws	Stainless steel
Surface	Powder-varnish coating
Working temperature, min.	-40 °C
Working temperature, max.	90 °C
Sealing material	Polyurethane
Cadmium-free	✓
Halogen-free	✓

Further technical data

Degree of protection	IP66
Impact resistance	IK08
Lower part with earthing screws	✓
Can be lead-sealed	✓

Environmental Product Compliance

REACH Conform	yes
REACH Reference date	2024-01-23
REACH Candidate Substance Note	No
RoHS Conform	yes

Data sheet

4438.0 CA 280/100



Media

Accessories

Outer joints



Outer joints, Colour: Silver-grey

Article number	Article name	GTIN (EAN)	Packaging unit
<u>4509.6</u>	AG/CP/CA (Paar)	4044211063979	1 ST

Mounting screw



Mounting screw, M 6, Colour: natural

Article number	Article name	GTIN (EAN)	Packaging unit
<u>4558.0</u>	BS M 6x8	4044211065089	100 ST

Mounting plate



Mounting plate, Material: Steel, Galvanized, Colour: natural

Article number	Article name	GTIN (EAN)	Packaging unit
<u>4571.0</u>	MP/A 280	4044211117504	1 ST

Wall brackets



Wall brackets, Material: Steel, Surface: Galvanized, Colour: natural

Article number	Article name	GTIN (EAN)	Packaging unit
<u>4509.4</u>	WL/CP/CA lang	4044211063955	1 ST