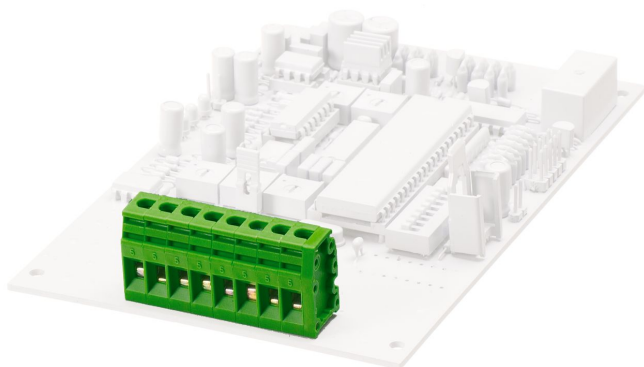


5001.1 PK 2,5/1/5,00 GN



PCB terminal, Screw connection, No. of poles: 1, Width: 7.5 mm, Colour: Green

Business data

| | |
|--|------------------|
| Article number | 5001.1 |
| Article name | PK 2,5/1/5,00 GN |
| GTIN (EAN) | 4044211065195 |
| Packaging unit | 100 |
| Quantity unit | PC |
| Packaging type | Carton |
| Type of banding | Without |
| Weight per piece (not including packaging) | 1.91 g |
| Weight per piece (including packaging) | 2.21 g |
| Unit of weight | G |
| Customs number | 85369010 |
| Country of origin | CZ |
| Prio-Article | 5001.1 |

Technical data

Dimensions

| | |
|---------------------|--------|
| Length | 12 mm |
| Length of the pin | 4.5 mm |
| Width | 7.5 mm |
| Width left | 2.5 mm |
| Width right | 5 mm |
| Height | 20 mm |
| Drill hole diameter | 1.3 mm |
| Pitch | 5 mm |

Ratings

| | |
|-----------------------|---------------------|
| Rated voltage | 250 V |
| Rated current | 16 A |
| Rated cross-section | 2.5 mm ² |
| Rated impulse voltage | 4 kV |
| Overvoltage category | III |
| Contamination degree | 3 |

Connection data

| | |
|--|----------------------|
| Connection principle | Screw connection |
| Connection type of PCB | Solder connection |
| Type of attachment to circuit board | Connecting contact |
| Angle of PCB/wire connection | 0°/180° (horizontal) |
| No. of poles | 1 |
| Number of levels | 1 |
| Wire cross-section single-core (rigid) / stranded, min. | 0.2 mm ² |
| Wire cross-section single core (rigid)/stranded, max. | 4 mm ² |
| Wire cross-section stranded, min. | 0.2 mm ² |
| Wire cross-section stranded, max. | 2.5 mm ² |
| Wire cross-section stranded with wire-end ferrules, min. | 0.2 mm ² |
| Wire cross-section stranded with wire-end ferrules, max. | 2.5 mm ² |
| Wire cross-section AWG, min. | 24 |
| Wire cross-section AWG, max. | 14 |
| Stripping length | 7 mm |
| Screw threading | M 2,5 |
| Torque | 0.6 Nm |

Technical data

Materials

| | |
|---------------------------|---------------|
| Insulation housing | Polyamide 6.6 |
| Flammability class UL 94 | V-2 |
| Working temperature, min. | -30 °C |
| Working temperature, max. | 105 °C |
| Clamping element | Steel |
| Screws | Steel |
| Soldering lug | Copper |

Further technical data

| | |
|---|-----------------------------|
| Storage temperature, min. | -40 °C |
| Storage temperature, max. | 105 °C |
| Insulation resistance | 1*10 ¹² Ohm x cm |
| Creepage-current resistance | CTI 600 |
| Glow wire flammability index GWFI | GWFI 960 |
| GWFI after-glow time | 30 Sek. |
| Glow wire ignition temperature GWIT | GWIT 775 °C |
| GWIT exposure time | 5 Sek. |
| Recommended wave soldering temperature | 260 °C |
| Recommended wave soldering duration, min. | 3 Sek. |
| Recommended wave soldering duration, max. | 4 Sek. |

Environmental Product Compliance

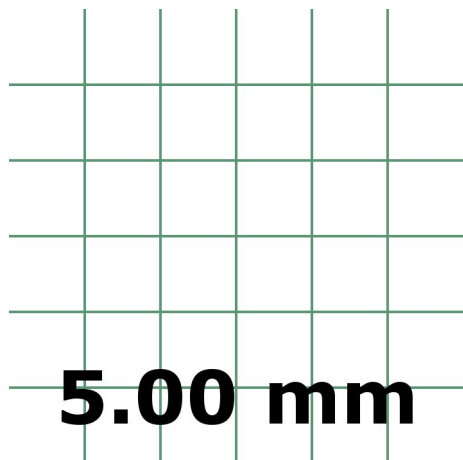
| | |
|--------------------------------|------------------------|
| REACH Conform | yes |
| REACH Reference date | 2023-06-14, 2024-01-23 |
| REACH Candidate Substance Note | No |
| RoHS Conform | yes |

Approvals

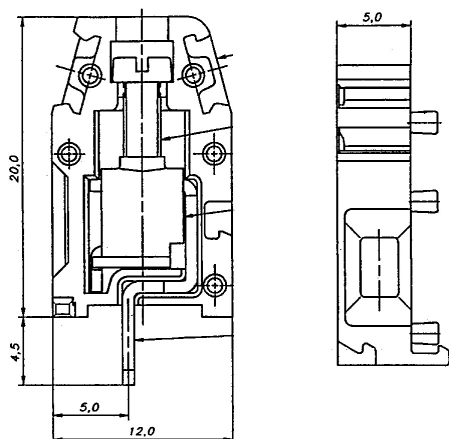
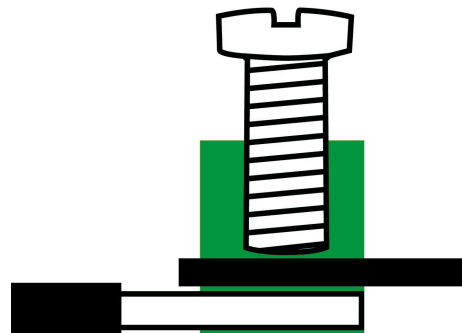
CSA approval

| | |
|----------------------------------|-----------------|
| CSA approval | CSA 22.2 No.158 |
| CSA approval granted | yes |
| CSA Usegroup B: rated voltage | 300 V |
| CSA Usegroup B: rated current | 20 A |
| CSA wire cross-section AWG, min. | 24 |
| CSA wire cross-section AWG, max. | 14 |
| CSA stripping length | 7 mm |
| CSA torque | 0.6 Nm |

Media



M2.5



Accessories
