

Overvoltage arrester type 3 with high-performance varistor, Mounting type: Mounting rail TS 35, 2-channel, Rated voltage: 230 VAC

Business data

Article number	<u>6471.2</u>
Article name	CDS 98
GTIN (EAN)	4044211074142
Packaging unit	1
Quantity unit	PC
Weight per piece (not including packaging)	62.2 g
Weight per piece (including packaging)	73.9 g
Unit of weight	G
Customs number	85354000
Country of origin	CN
Product description	Overvoltage arresters

Technical data

Dimensions

Length	90 mm
Width	18 mm
Height	61 mm
Installation dimensions acc. to DIN 43880	1 Te

Ratings

Rated voltage U_n	230 / 400 -
Rated discharge surge current I_n (8/20) μ s	10 kA
Rated frequency min.	50 Hz
Rated frequency max.	60 Hz
Short-circuit resistance I_p	10 kA

Connection data

Connection principle	Screw connection
Wire cross-section single core (rigid), min.	1.5 mm ²
Wire cross-section single-core (rigid), max.	10 mm ²
Wire cross-section stranded, min.	1.5 mm ²
Wire cross-section stranded, max.	10 mm ²
Wire cross-section stranded with wire-end ferrules, min.	10 mm ²
Wire cross-section stranded with wire-end ferrules, max.	1.5 mm ²

Materials

Insulation housing	Thermoplastic
Flammability class UL 94	V-0
Working temperature, min.	-40 °C
Working temperature, max.	85 °C

Technical data

Further technical data

Protection class	IP20
Response time t_A	<25 ns
Max. continuous voltage U_c	400 V
Discharge current I_{max} (8/20) μs , max.	20 kA
Protection level U_p	1,5 kV
Operating current I_c	<1 mA
Follow-on current I_f	None
Follow-on current extinguishing capacity I_{fi}	Infinite
TOV voltage U_t (L-N)	400 V / 5 s
Series fuse, max.	40 A
Malfunction display	red LED

Environmental Product Compliance

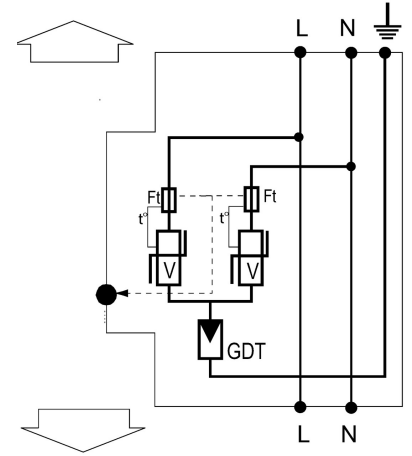
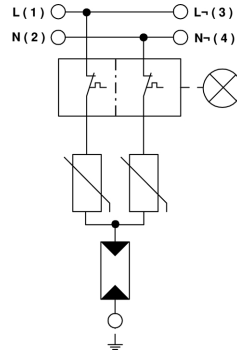
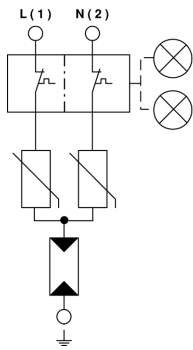
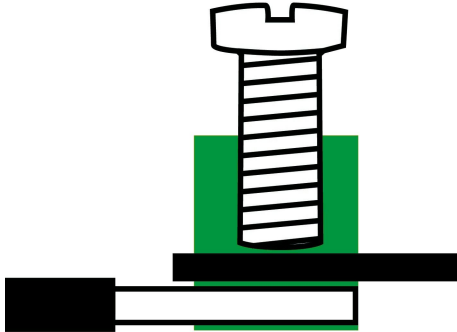
REACH Conform	yes
REACH Reference date	2024-01-23
REACH Candidate Substance Note	No
RoHS Conform	yes

Approvals

Standards and regulations

DIN EN 61643-11 (Germany)	Arrester type 3
EN 61643-11 (Europe)	Low voltage SPD - Class III test
IEC 61643-1 (International)	Low voltage SPD - Class III test
UL1449 ed.2 (USA)	Low voltage TVSS

Media



Accessories
